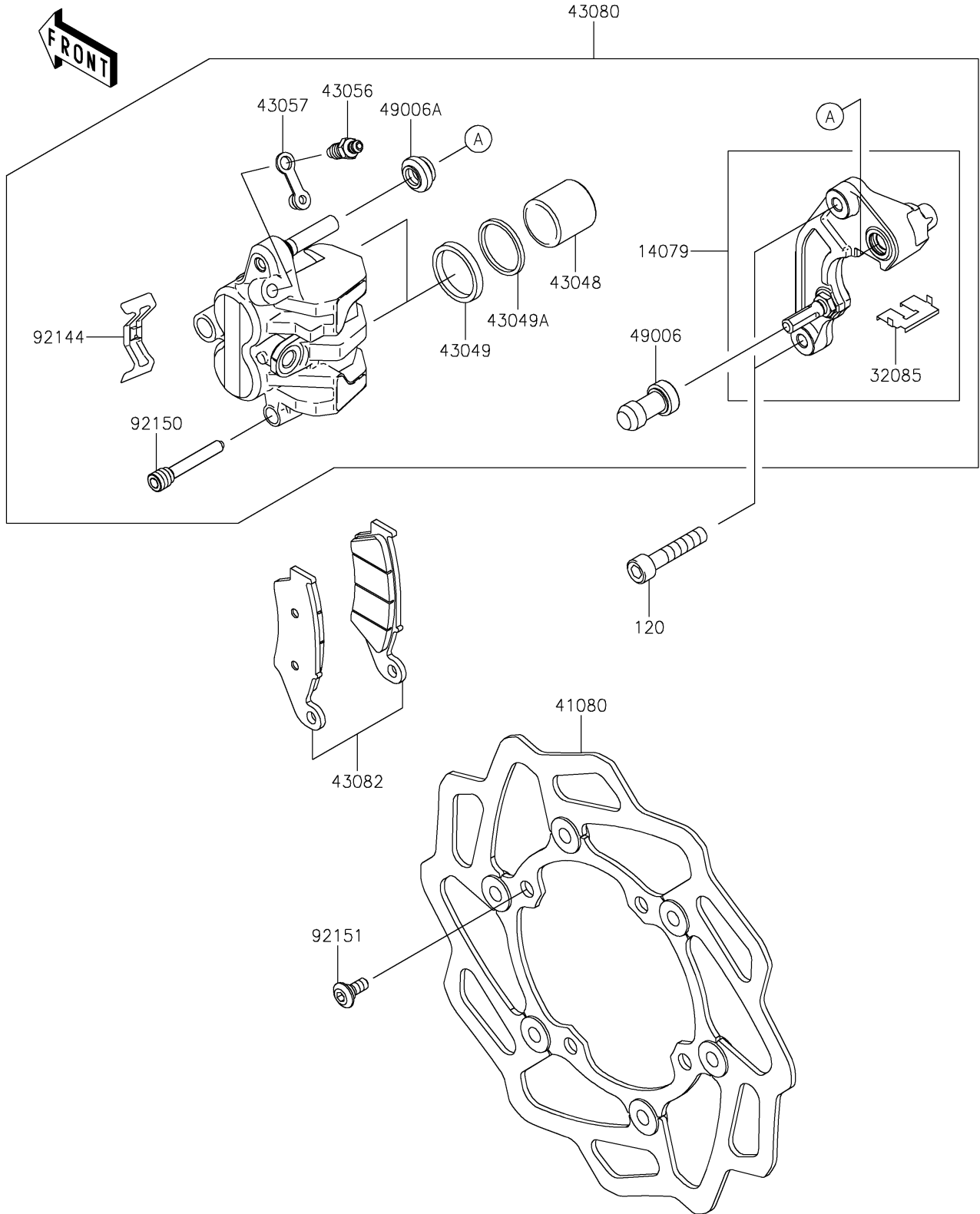


2020 KX250 PARTS DIAGRAM

Front Brake

F2292



2020 KX250 PARTS LIST

Front Brake

ITEM NAME	PART NUMBER	QUANTITY
BOLT-SOCKET,8X40 (Ref # 120)	120CA0840	2
HOLDER-ASSY,FR CALIPER (Ref # 14079)	14079-0586	1
STOPPER,PAD (Ref # 32085)	32085-1361	1
DISC,FR,270MM,WAVE (Ref # 41080)	41080-0692	1
PISTON-CALIPER (Ref # 43048)	43048-1095	2
PACKING,PISTON SEAL (Ref # 43049)	43049-1060	2
PACKING,PISTON SEAL (Ref # 43049A)	43049-1061	2
BREATHER (Ref # 43056)	43056-1055	1
CAP-BREATHER (Ref # 43057)	43057-1001	1
CALIPER-SUB-ASSY,FR (Ref # 43080)	43080-0157	1
PAD-ASSY-BRAKE (Ref # 43082)	43082-1266	1
BOOT,CALIPER (Ref # 49006)	49006-1088	1
BOOT,CALIPER (Ref # 49006A)	49006-1242	1
SPRING,PAD (Ref # 92144)	92144-1721	1
BOLT,HANGER (Ref # 92150)	92150-1691	1
BOLT,DISC PLATE,6MM (Ref # 92151)	92151-1799	4