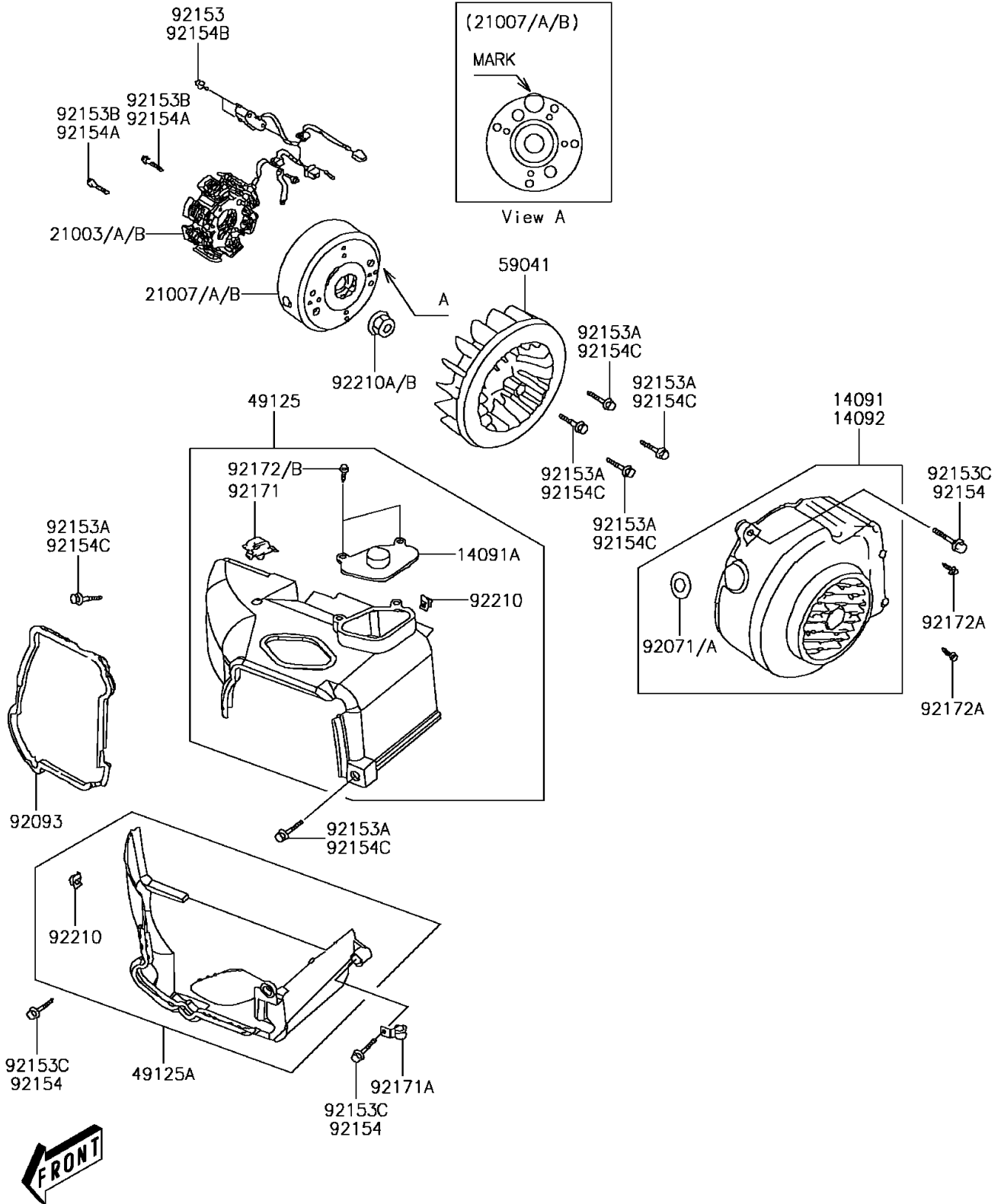


# 2014 KFX®50 PARTS DIAGRAM

Generator

E1810



## 2014 KFX® 50 PARTS LIST

### Generator

ITEM NAME	PART NUMBER	QUANTITY
COVER,FAN (Ref # 14091)	14091-Y004	1
COVER,SHROUD,UPP (Ref # 14091A)	14091-Y005	1
COVER,FAN (Ref # 14092)	14092-Y001	1
STATOR,D402 (Ref # 21003)	21003-Y001	1
STATOR,D406 (Ref # 21003A)	21003-Y003	1
STATOR,D414 (Ref # 21003B)	21003-Y004	1
ROTOR,D402 (Ref # 21007)	21007-Y002	1
ROTOR,D406 (Ref # 21007A)	21007-Y003	1
ROTOR,D414 (Ref # 21007B)	21007-Y004	1
SHROUD,UPP (Ref # 49125)	49125-Y003	1
SHROUD,LWR (Ref # 49125A)	49125-Y005	1
FAN (Ref # 59041)	59041-Y002	1
GROMMET (Ref # 92071)	92071-Y002	1
GROMMET (Ref # 92071A)	92071-Y003	1
SEAL,SHROUD (Ref # 92093)	92093-Y010	1
BOLT,5X12 (Ref # 92153)	92153-Y015	2
BOLT,FLANGE,6X16 (Ref # 92153A)	92153-Y047	6
BOLT,FLANGE,6X22 (Ref # 92153B)	92153-Y050	2
BOLT,FLANGE,6X25 (Ref # 92153C)	92153-Y051	3
CLAMP (Ref # 92171)	92171-Y001	1
CLAMP (Ref # 92171A)	92171-Y002	1
SCREW,4X12 (Ref # 92172)	92172-Y017	2
SCREW,5X16 (Ref # 92172A)	92172-Y021	2
NUT,6MM (Ref # 92210)	92210-Y011	2
NUT,10MM (Ref # 92210A)	92210-Y029	1