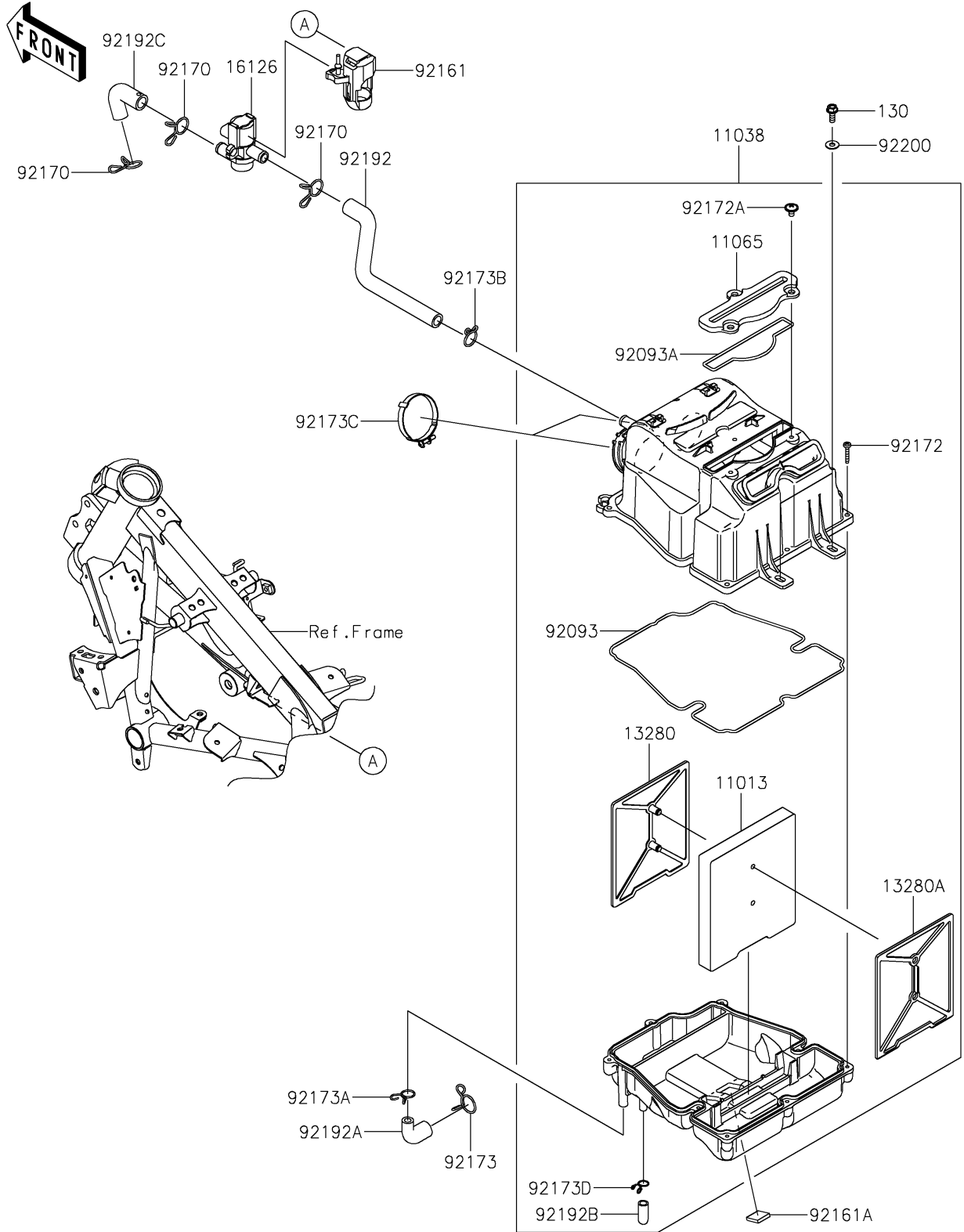


2017 Versys-X 300 PARTS DIAGRAM

Air Cleaner

E1130



2017 Versys-X 300 PARTS LIST

Air Cleaner

ITEM NAME	PART NUMBER	QUANTITY
ELEMENT-AIR FILTER (Ref # 11013)	11013-0762	1
CASE-ASSY-AIR FILTER (Ref # 11038)	11038-0049	1
CAP (Ref # 11065)	11065-0967	1
BOLT-FLANGED,6X16 (Ref # 130)	130BA0616	2
HOLDER,AIR FILTER ELEMENT (Ref # 13280)	13280-0883	1
HOLDER,AIR FILTER ELEMENT (Ref # 13280A)	13280-0884	1
VALVE,AIR CUT (Ref # 16126)	16126-0744	1
SEAL,CASE (Ref # 92093)	92093-0698	1
SEAL,CAP (Ref # 92093A)	92093-0699	1
DAMPER,ACV (Ref # 92161)	92161-1424	1
DAMPER,20X20X4 (Ref # 92161A)	92161-1992	1
CLAMP (Ref # 92170)	92170-1017	3
SCREW,TAPPING,5X25 (Ref # 92172)	92172-0803	8
SCREW,6X10 (Ref # 92172A)	92172-1144	3
CLAMP,20MM (Ref # 92173)	92173-0190	1
CLAMP,14MM (Ref # 92173A)	92173-0192	1
CLAMP,18MM (Ref # 92173B)	92173-0193	1
CLAMP (Ref # 92173C)	92173-1653	2
CLAMP (Ref # 92173D)	92173-1714	1
TUBE,VALVE-AIR FILTER (Ref # 92192)	92192-1727	1
TUBE,BREATHER (Ref # 92192A)	92192-1728	1
TUBE,DRAIN CLEAN (Ref # 92192B)	92192-1744	1
TUBE,VALVE-CYLINDER HRAD (Ref # 92192C)	92192-1763	1
WASHER,6.5X16X1.0 (Ref # 92200)	92200-0796	2