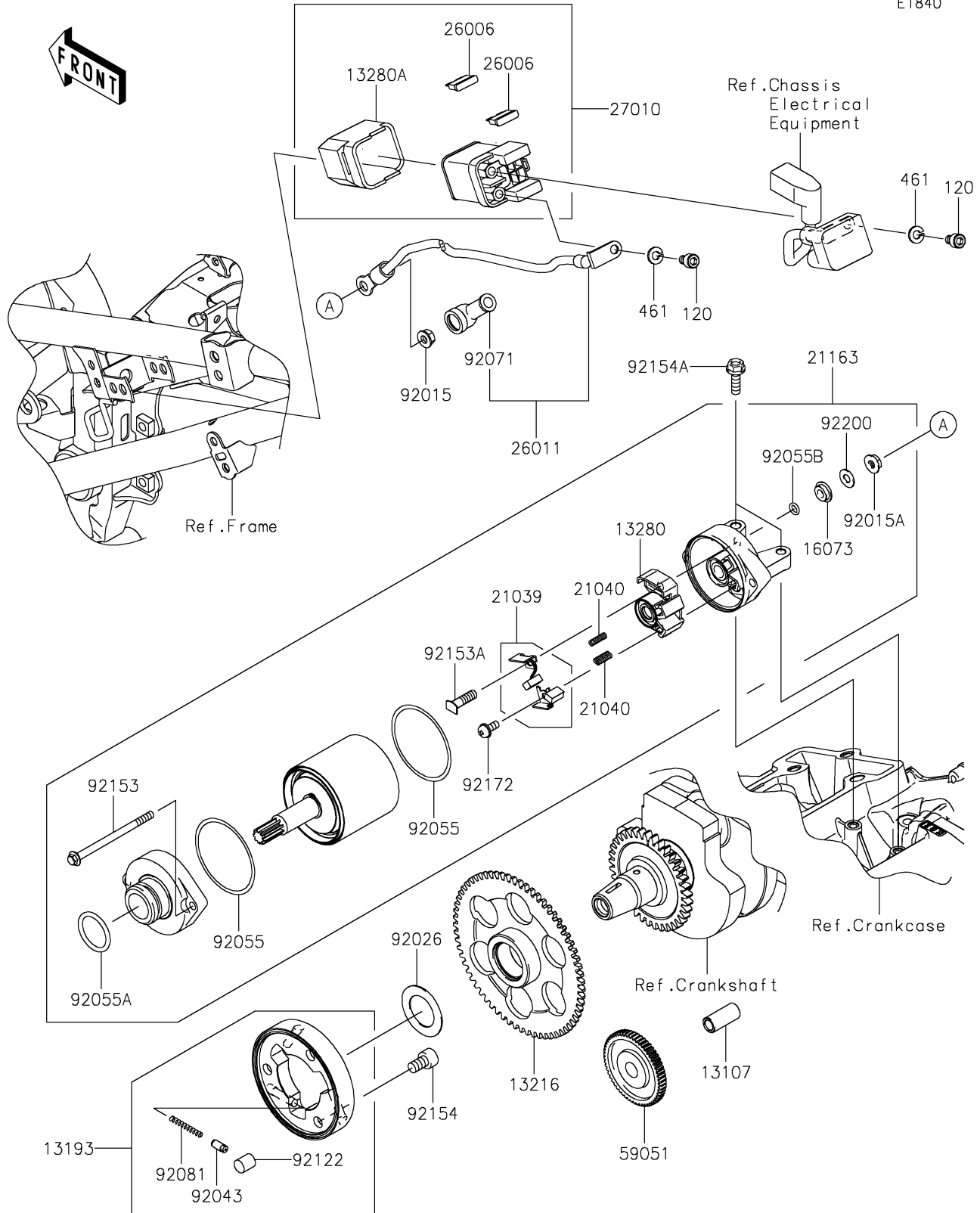


2019 VERSYS®-X 300 PARTS DIAGRAM

Starter Motor

E1840



2019 VERSYS®-X 300 PARTS LIST

Starter Motor

ITEM NAME	PART NUMBER	QUANTITY
BOLT-SOCKET,6X10 (Ref # 120)	120CB0610	2
SHAFT,7.8X12X26.5 (Ref # 13107)	13107-0743	1
CLUTCH-ASSY-ONEWAY (Ref # 13193)	13193-1002	1
GEAR-COMP,ONEWAY CLUTCH,65T (Ref # 13216)	13216-0880	1
HOLDER (Ref # 13280)	13280-0261	1
HOLDER (Ref # 13280A)	13280-0301	1
INSULATOR (Ref # 16073)	16073-0053	1
BRUSH,CARBON SET (Ref # 21039)	21039-0005	1
SPRING-BRUSH (Ref # 21040)	21040-0003	2
STARTER-ELECTRIC (Ref # 21163)	21163-0717	1
FUSE,BLADE,30A,GREEN (Ref # 26006)	26006-1006	2
WIRE-LEAD,STARTER (Ref # 26011)	26011-0958	1
SWITCH,MAGNETIC (Ref # 27010)	27010-0099	1
WASHER-SPRING,6MM (Ref # 461)	461DA0600	2
GEAR-SPUR,IDLER (Ref # 59051)	59051-0722	1
NUT,FLANGED,6MM (Ref # 92015)	92015-1367	1
NUT,STARTER MOTOR (Ref # 92015A)	92015-1476	1
SPACER,25.2X40X1.0 (Ref # 92026)	92026-0846	1
PIN (Ref # 92043)	92043-132	3
RING-O (Ref # 92055)	92055-0136	2
RING-O (Ref # 92055A)	92055-1276	1
RING-O,4.5X2.0 (Ref # 92055B)	92055-1370	1
GROMMET (Ref # 92071)	92071-0705	1
SPRING,COIL (Ref # 92081)	92081-159	3
ROLLER (Ref # 92122)	92122-006	3
BOLT,SET (Ref # 92153)	92153-1851	2
BOLT (Ref # 92153A)	92153-1866	1
BOLT,SOCKET,8X13 (Ref # 92154)	92154-0175	3
BOLT,FLANGED,6X20 (Ref # 92154A)	92154-0786	2

2019 VERSYS®-X 300 PARTS LIST

Starter Motor

ITEM NAME	PART NUMBER	QUANTITY
SCREW (Ref # 92172)	92172-0334	1
WASHER (Ref # 92200)	92200-0386	1