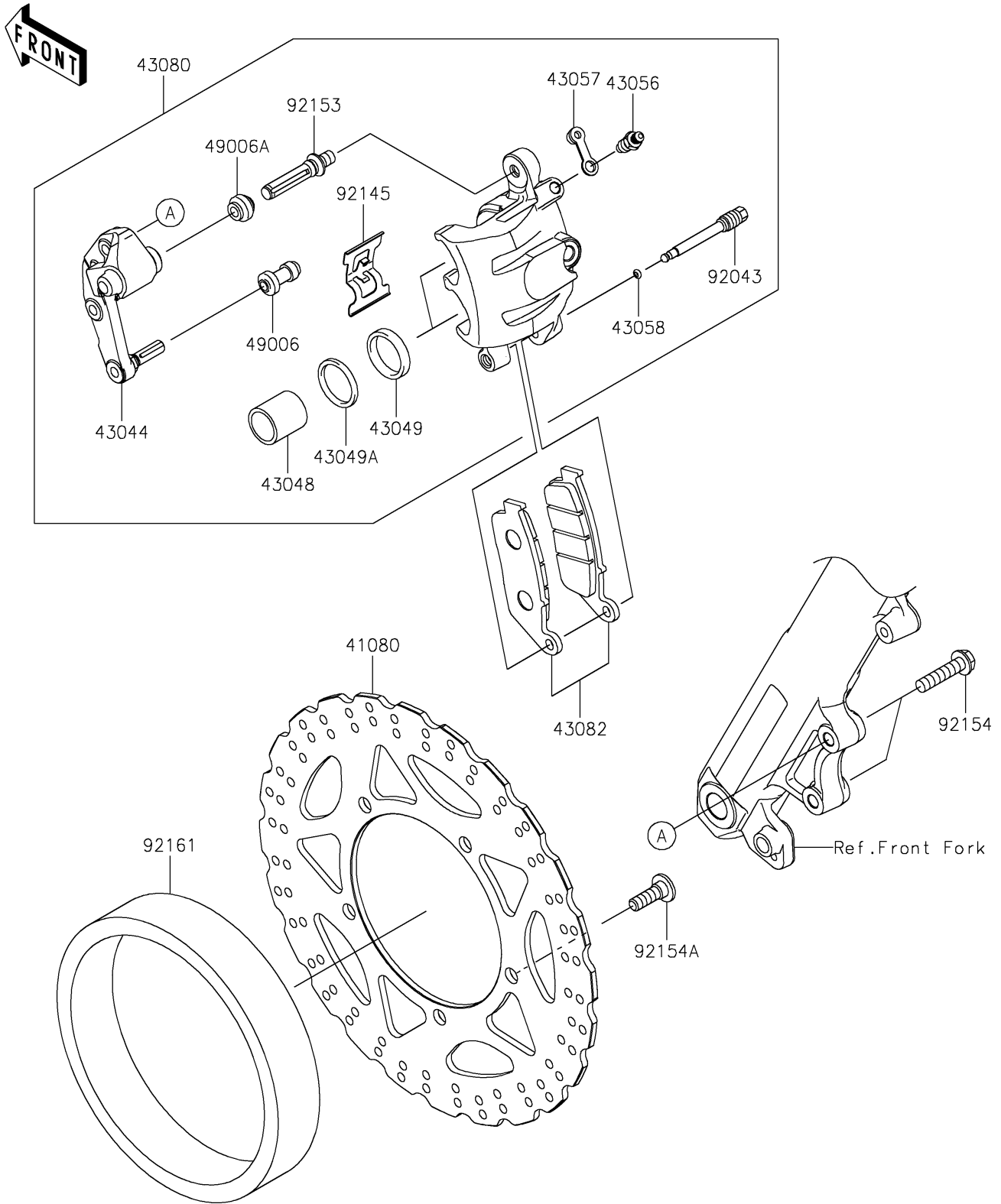


2019 VERSYS®-X 300 PARTS DIAGRAM

Front Brake

F2292



2019 VERSYS®-X 300 PARTS LIST

Front Brake

ITEM NAME	PART NUMBER	QUANTITY
DISC,FR,BLACK (Ref # 41080)	41080-0672-11H	1
HOLDER-COMP-CALIPER (Ref # 43044)	43044-0083	1
PISTON-CALIPER (Ref # 43048)	43048-0030	2
PACKING,PISTON SEAL (Ref # 43049)	43049-1060	2
PACKING,PISTON SEAL (Ref # 43049A)	43049-1061	2
BREATHER-BRAKE (Ref # 43056)	43056-0004	1
CAP-BREATHER (Ref # 43057)	43057-1001	1
RING,STOPPER (Ref # 43058)	43058-1100	1
CALIPER-SUB-ASSY,FR,RH,BLACK (Ref # 43080)	43080-0180-DJ	1
PAD-ASSY-BRAKE (Ref # 43082)	43082-0173	1
BOOT,CALIPER (Ref # 49006)	49006-1088	1
BOOT,CALIPER (Ref # 49006A)	49006-1242	1
PIN,HANGER (Ref # 92043)	92043-0820	1
SPRING,PAD (Ref # 92145)	92145-0524	1
BOLT (Ref # 92153)	92153-1872	1
BOLT,FLANGED,8X35 (Ref # 92154)	92154-1646	2
BOLT,SOCKET,8X26,MEC (Ref # 92154A)	92154-2534	5
DAMPER,168X192X36 (Ref # 92161)	92161-1925	1