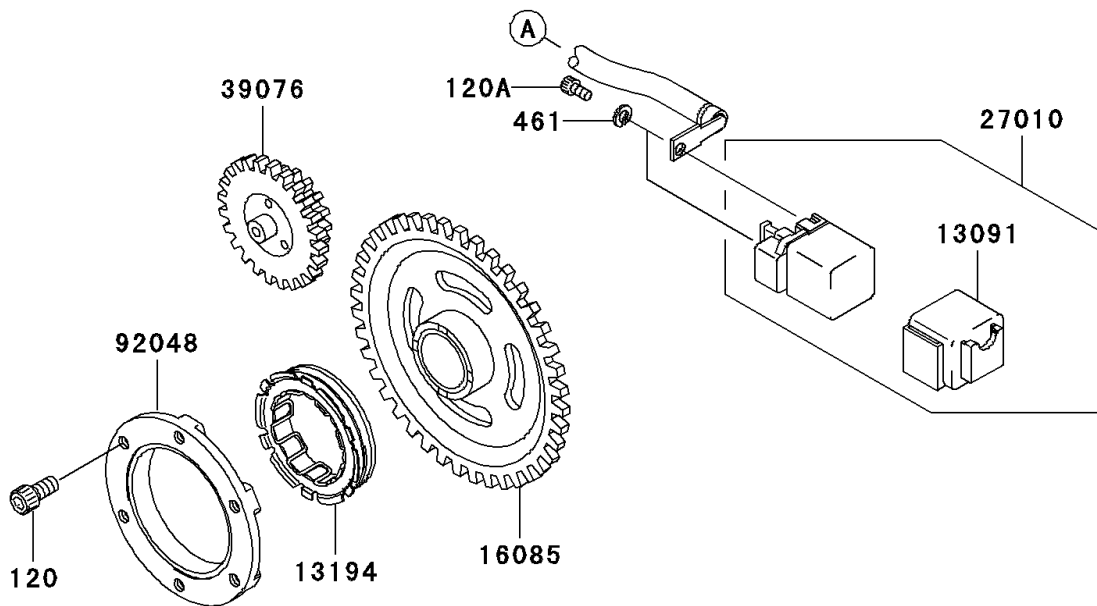
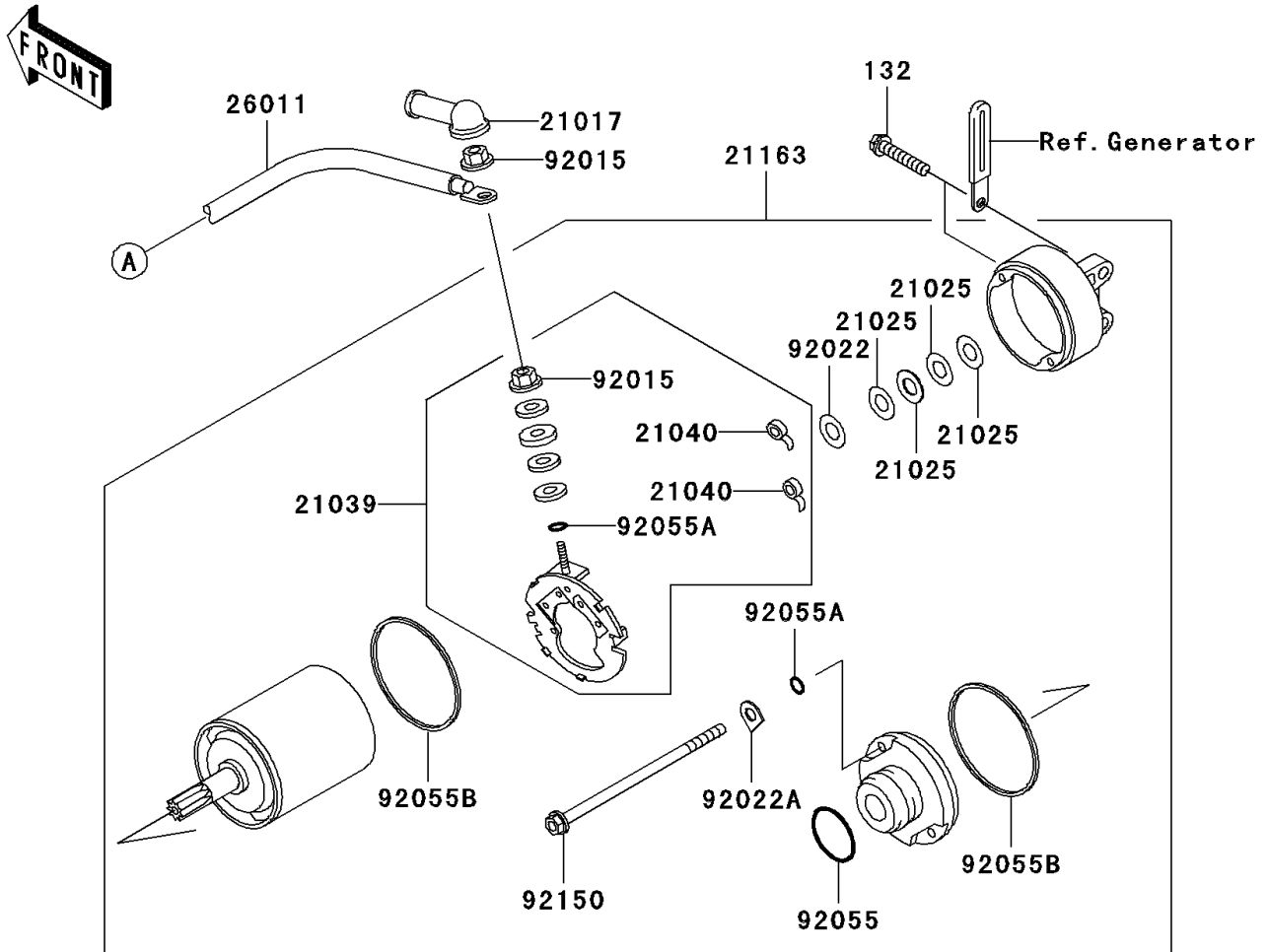


2005 Prairie 700 4x4 Team Green Special Edition PARTS DIAGRAM

Starter Motor

E1840



2005 Prairie 700 4x4 Team Green Special Edition PARTS LIST

Starter Motor

ITEM NAME	PART NUMBER	QUANTITY
BOLT-SOCKET,8X16 (Ref # 120)	120P0816	6
BOLT-SOCKET,5X10 (Ref # 120A)	120S0510	2
BOLT-FLANGED-SMALL,6X30 (Ref # 132)	132Y0630	2
WASHER-SPRING,5MM,BLACK (Ref # 461)	461K0500	2
HOLDER (Ref # 13091)	13091-1992	1
CLUTCH-ONEWAY (Ref # 13194)	13194-1094	1
GEAR,STARTER (Ref # 16085)	16085-1238	1
GROMMET,STARTER TERMINAL (Ref # 21017)	21017-017	1
WASHER,9.1X18X0.2 (Ref # 21025)	21025-011	4
BRUSH,CARBON (Ref # 21039)	21039-1063	1
SPRING-BRUSH (Ref # 21040)	21040-1057	2
STARTER-ELECTRIC (Ref # 21163)	21163-1320	1
WIRE-LEAD (Ref # 26011)	26011-1814	1
SWITCH,MAGNETIC (Ref # 27010)	27010-1376	1
LIMITER,STARTER (Ref # 39076)	39076-0005	1
NUT,STARTER MOTOR (Ref # 92015)	92015-1476	2
WASHER,9.1X18X0.8 (Ref # 92022)	92022-1132	1
WASHER,LOCK,T=2.0 (Ref # 92022A)	92022-1458	2
RACE,ONE WAY CLUTCH (Ref # 92048)	92048-0002	1
RING-O (Ref # 92055)	92055-1276	1
RING-O,4.5X2.0 (Ref # 92055A)	92055-1370	3
RING-O,STARTER MOTOR (Ref # 92055B)	92055-1381	2
BOLT (Ref # 92150)	92150-1243	2