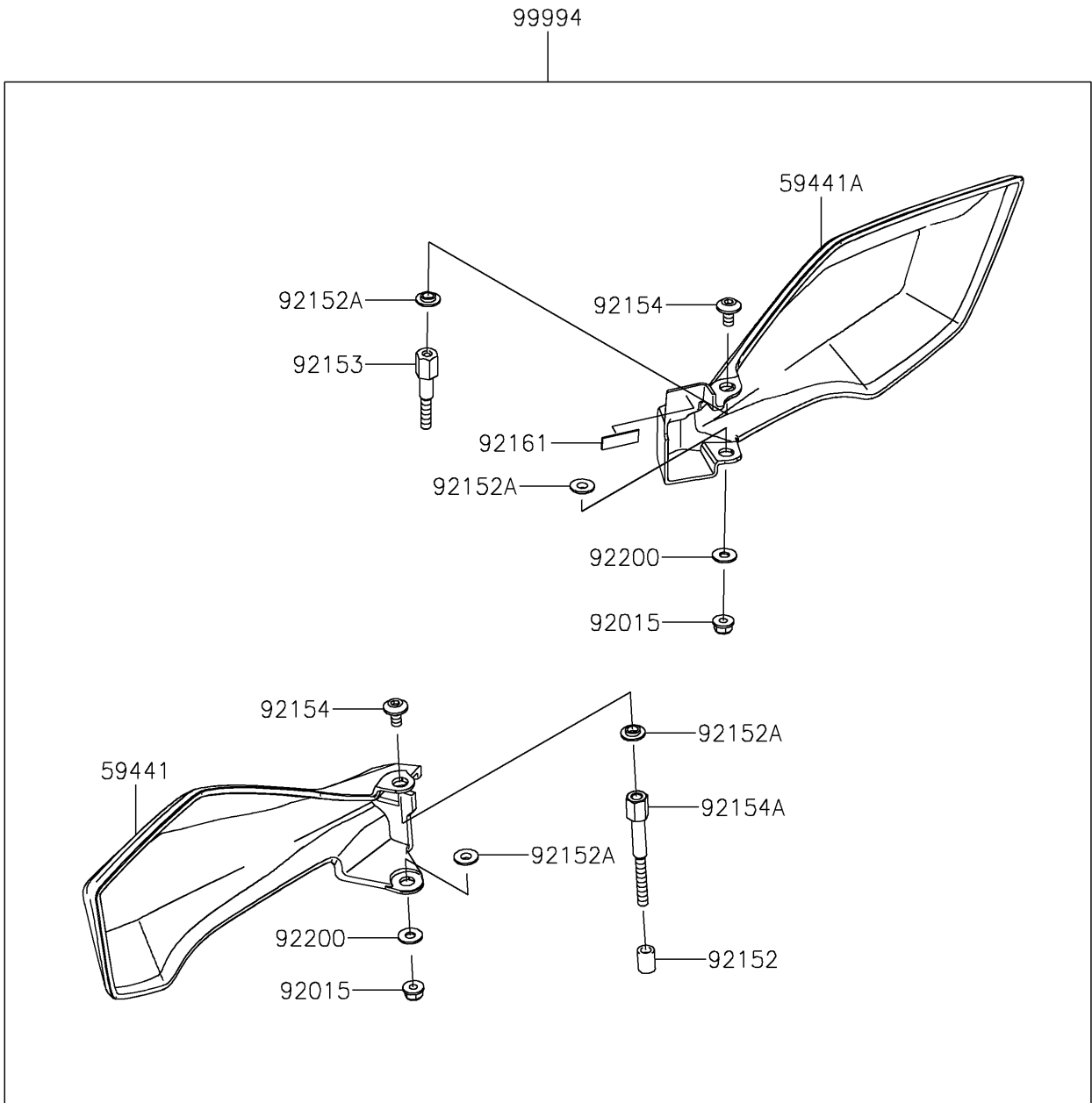


2020 VERSYS®-X 300 PARTS DIAGRAM

Accessory(Hand Guard)

F2910



2020 VERSYS®-X 300 PARTS LIST

Accessory(Hand Guard)

ITEM NAME	PART NUMBER	QUANTITY
COVER-HANDLE,LH (Ref # 59441)	59441-0043	1
COVER-HANDLE,RH (Ref # 59441A)	59441-0044	1
NUT,LOCK,FLANGED,6MM (Ref # 92015)	92015-1603	2
COLLAR,6.5X10.5X14 (Ref # 92152)	92152-2302	1
COLLAR,6.5X15X3.4 (Ref # 92152A)	92152-2314	4
BOLT,LEVER SET (Ref # 92153)	92153-0790	1
BOLT,SOCKET,6X12 (Ref # 92154)	92154-0951	2
BOLT (Ref # 92154A)	92154-2359	1
DAMPER,10X30X1 (Ref # 92161)	92161-1985	1
WASHER,6.2X15X1.2 (Ref # 92200)	92200-1762	2
KIT-ACCESSORY,HAND GUARD (Ref # 99994)	99994-0992	1