

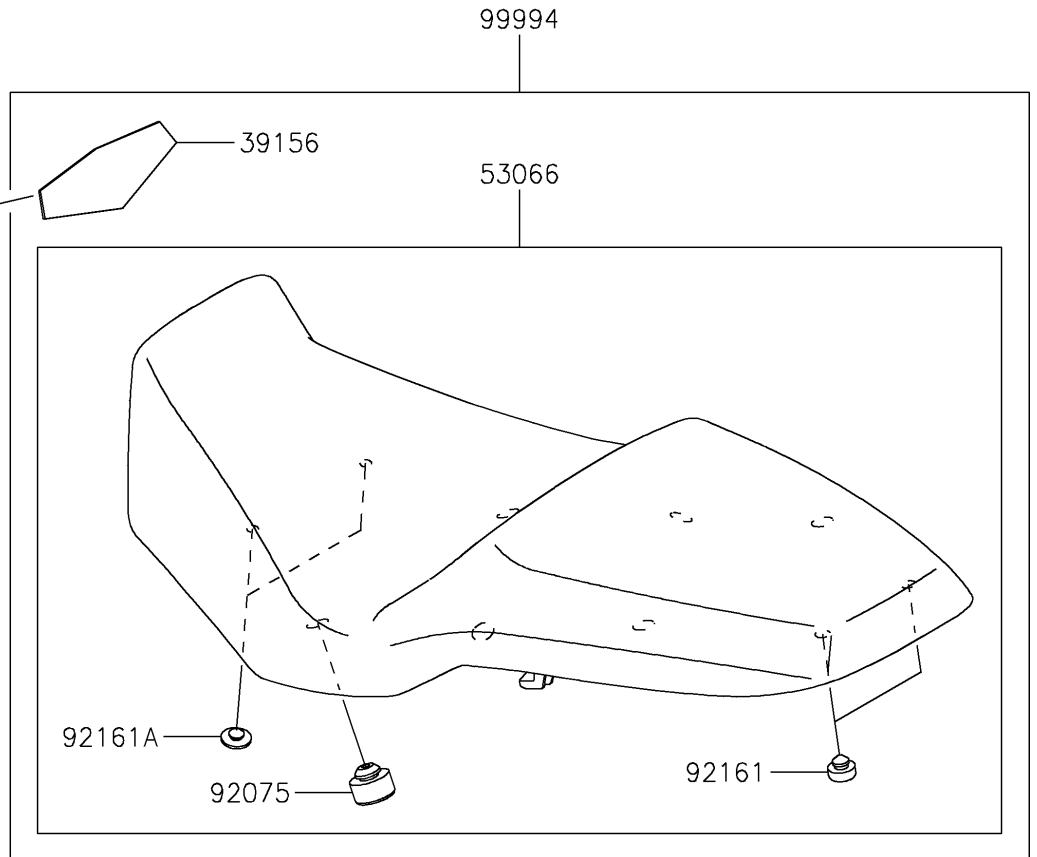
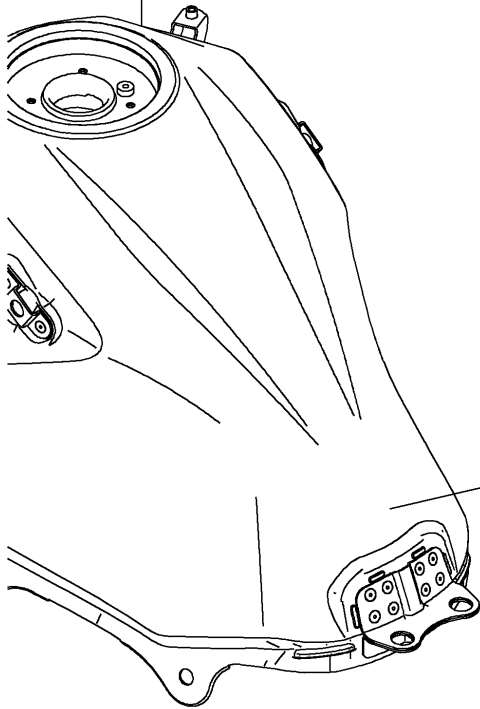
# 2020 VERSYS®-X 300 PARTS DIAGRAM

Accessory(High Seat)

F2910G



Ref. Fuel Tank



## 2020 VERSYS®-X 300 PARTS LIST

Accessory(High Seat)

ITEM NAME	PART NUMBER	QUANTITY
PAD (Ref # 39156)	39156-0801	1
SEAT-ASSY,BLACK (Ref # 53066)	53066-0566-MA	1
DAMPER (Ref # 92075)	92075-015	6
DAMPER,10X20X8 (Ref # 92161)	92161-0855	2
DAMPER,8X22X10 (Ref # 92161A)	92161-1685	2
KIT-ACCESSORY,HIGH SEAT (Ref # 99994)	99994-1002	1