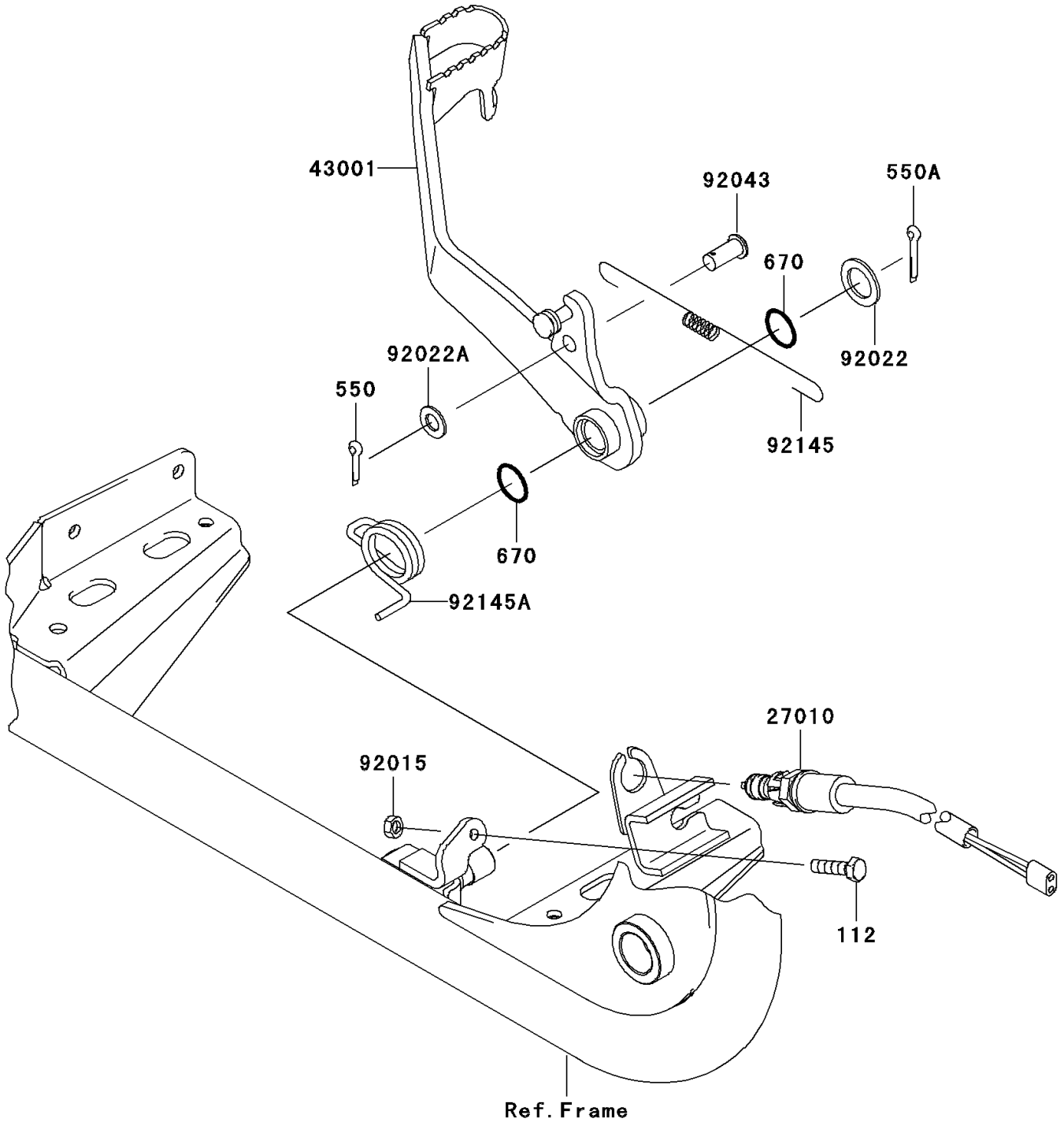


2005 Prairie 700 4x4 Team Green Special Edition PARTS DIAGRAM

Brake Pedal

F2260



2005 Prairie 700 4x4 Team Green Special Edition PARTS LIST

Brake Pedal

ITEM NAME	PART NUMBER	QUANTITY
BOLT-UPSET,6X22 (Ref # 112)	112D0622	1
PIN-COTTER,2.0X15 (Ref # 550)	550D2015	1
PIN-COTTER,2.0X22 (Ref # 550A)	550D2022	1
O RING,15MM (Ref # 670)	670B2015	2
SWITCH,BRAKE (Ref # 27010)	27010-1494	1
LEVER-BRAKE,PEDAL (Ref # 43001)	43001-0036	1
NUT,6MM (Ref # 92015)	92015-1410	1
WASHER,15.5X24X1.6 (Ref # 92022)	92022-1049	1
WASHER,8.5X16X1.2 (Ref # 92022A)	92022-1582	1
PIN,8X16 (Ref # 92043)	92043-1013	1
SPRING,BRAKE SWITCH (Ref # 92145)	92145-0056	1
SPRING,BRAKE PEDAL RETURN (Ref # 92145A)	92145-1421	1