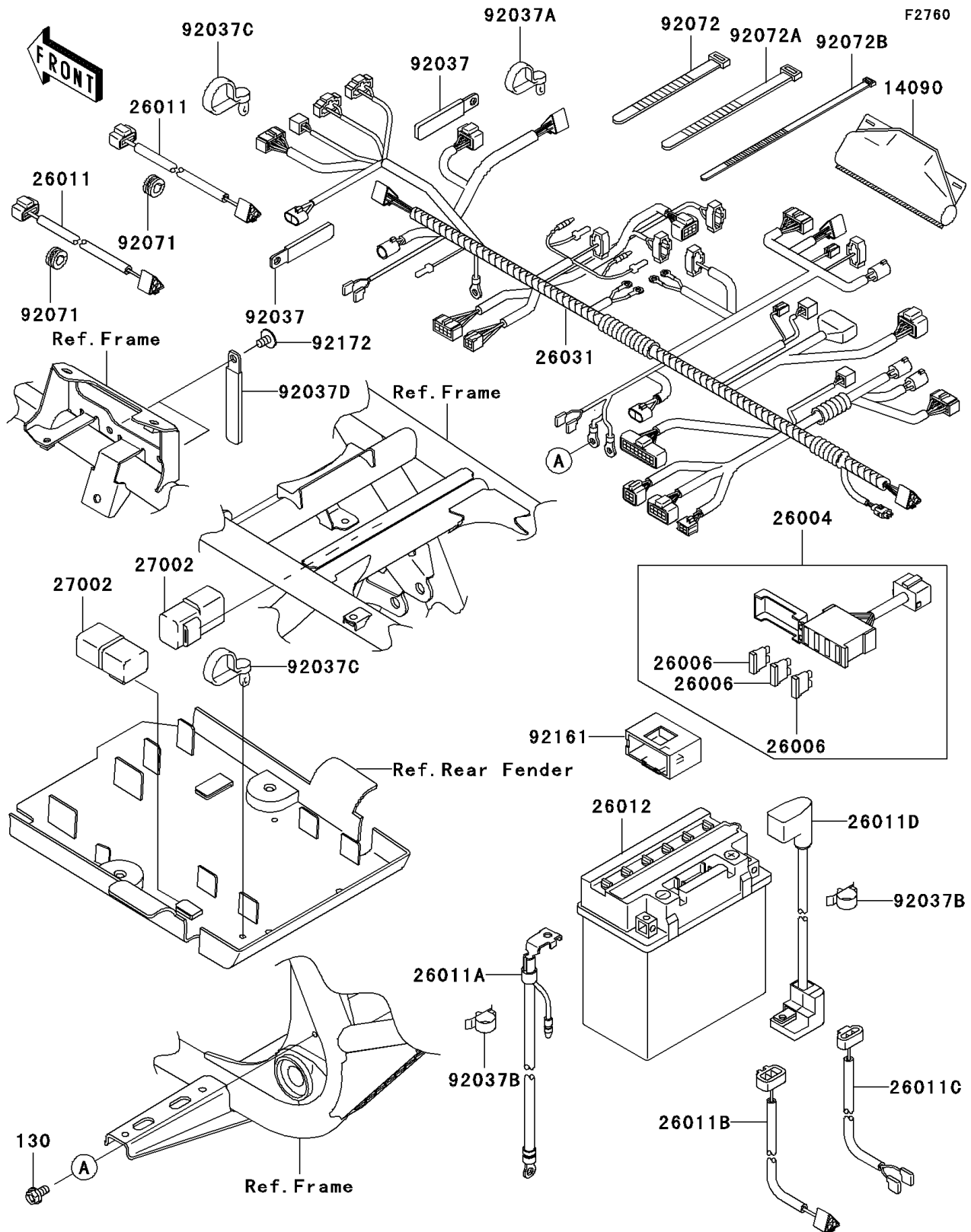


2005 Prairie 700 4x4 Team Green Special Edition PARTS DIAGRAM

Chassis Electrical Equipment



2005 Prairie 700 4x4 Team Green Special Edition PARTS LIST

Chassis Electrical Equipment

ITEM NAME	PART NUMBER	QUANTITY
BOLT-FLANGED,6X12 (Ref # 130)	130B0612	1
COVER,COUPLER (Ref # 14090)	14090-1331	2
FUSE-ASSY (Ref # 26004)	26004-0010	1
FUSE,10A-R (Ref # 26006)	26006-1007	3
WIRE-LEAD,HEAD LAMP (Ref # 26011)	26011-1741	2
WIRE-LEAD,BATTERY(-) (Ref # 26011A)	26011-1752	1
WIRE-LEAD,SPEED SENSOR (Ref # 26011B)	26011-1801	1
WIRE-LEAD,FRONT BRAKE (Ref # 26011C)	26011-1802	1
WIRE-LEAD,BATTERY(+) (Ref # 26011D)	26011-1827	1
BATTERY,MF,KMX14-BS,12V 12AH (Ref # 26012)	26012-1414	1
HARNESS,MAIN (Ref # 26031)	26031-0216	1
RELAY-ASSY (Ref # 27002)	27002-1086	2
CLAMP,L=60 (Ref # 92037)	92037-1069	2
CLAMP,SPEED,L=58 (Ref # 92037A)	92037-1163	2
CLAMP,HARNESS (Ref # 92037B)	92037-1878	2
CLAMP,SPEED,L=80.5 (Ref # 92037C)	92037-1903	4
CLAMP (Ref # 92037D)	92037-1993	2
GROMMET (Ref # 92071)	92071-1128	2
BAND,L=123 (Ref # 92072)	92072-030	2
BAND,L=149 (Ref # 92072A)	92072-031	2
BAND,L=188 (Ref # 92072B)	92072-1239	25
DAMPER,FUSE (Ref # 92161)	92161-1136	1
SCREW,6X10 (Ref # 92172)	92172-0005	2