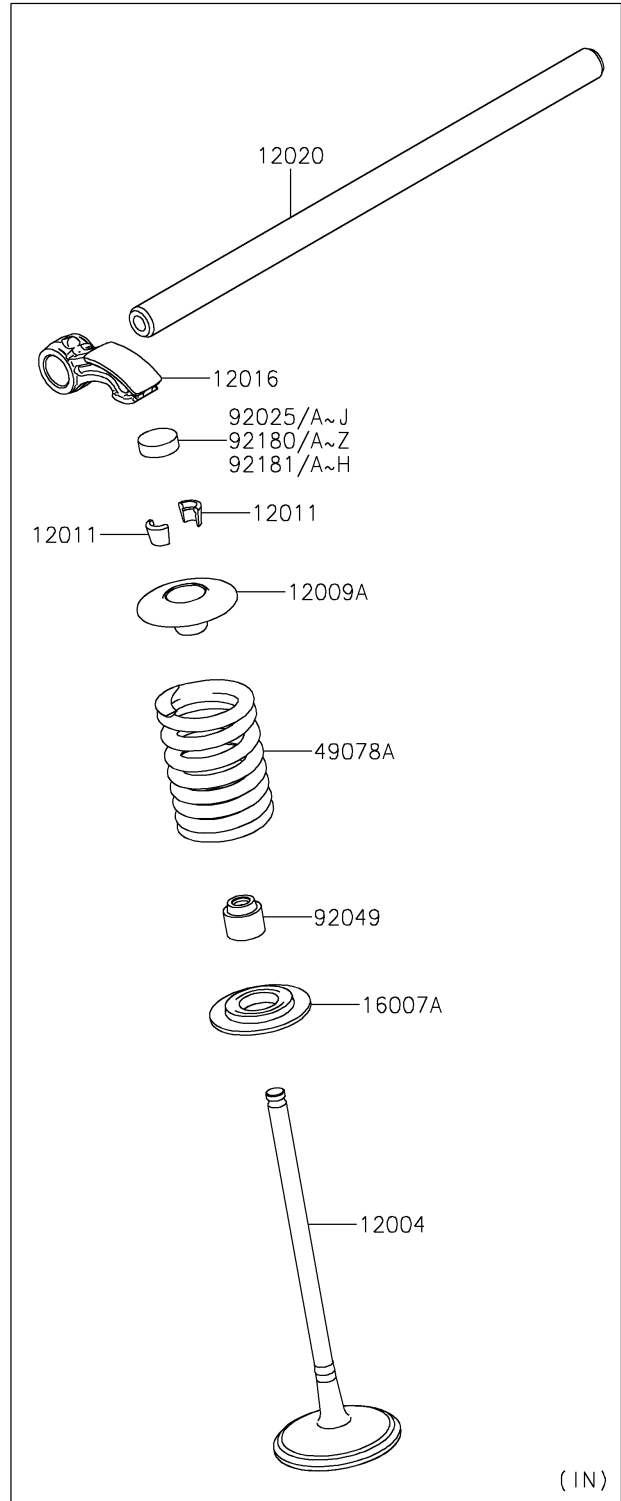
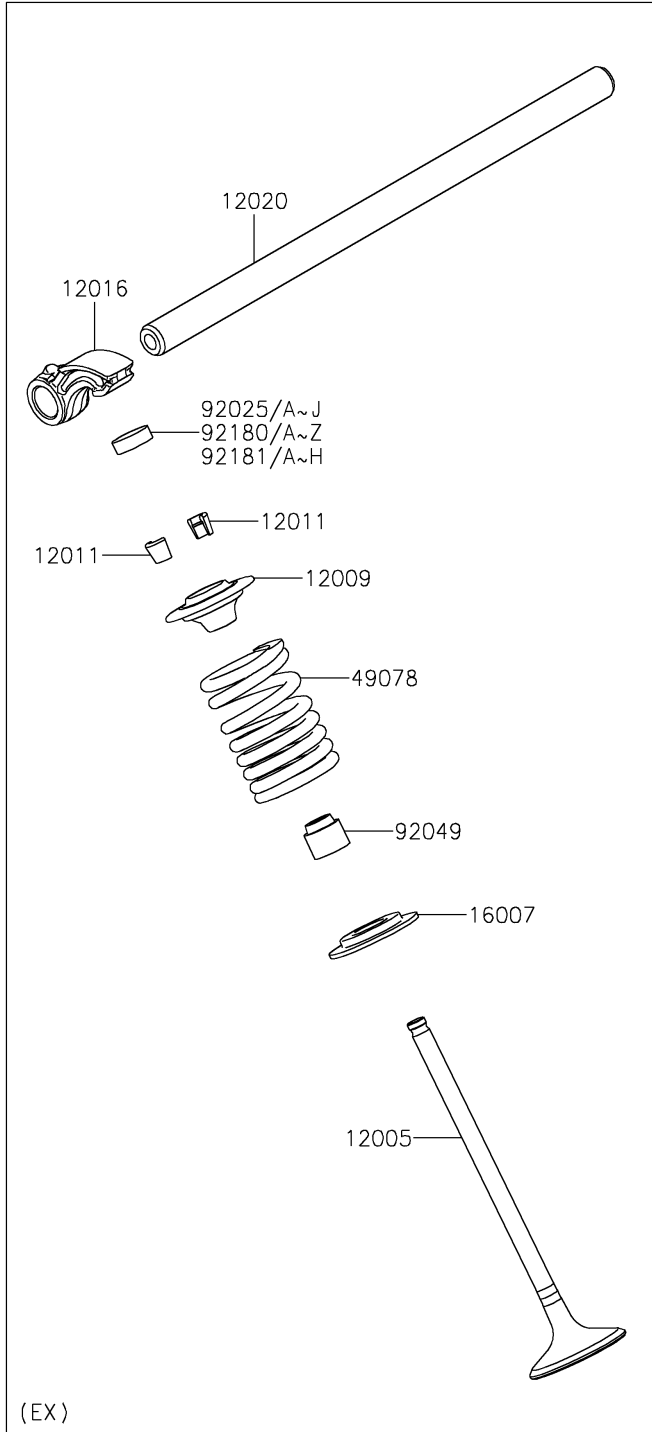


# 2019 NINJA® ZX™-10R PARTS DIAGRAM

Valve(s)

E1210



## 2019 NINJA® ZX™-10R PARTS LIST

Valve(s)

| ITEM NAME                                  | PART NUMBER | QUANTITY |
|--|-------------|----------|
| VALVE-INTAKE (Ref # 12004)                 | 12004-0763  | 8        |
| VALVE-EXHAUST (Ref # 12005)                | 12005-0788  | 8        |
| RETAINER-VALVE SPRING (Ref # 12009)        | 12009-0040  | 8        |
| RETAINER-VALVE SPRING (Ref # 12009A)       | 12009-0044  | 8        |
| COLLET (Ref # 12011)                       | 12011-1053  | 32       |
| ARM-ROCKER (Ref # 12016)                   | 12016-0726  | 16       |
| SHAFT-ROCKER (Ref # 12020)                 | 12020-0026  | 4        |
| SEAT-SPRING (Ref # 16007)                  | 16007-0003  | 8        |
| SEAT-SPRING (Ref # 16007A)                 | 16007-0044  | 8        |
| SPRING-ENGINE VALVE (Ref # 49078)          | 49078-0729  | 8        |
| SPRING-ENGINE VALVE (Ref # 49078A)         | 49078-0763  | 8        |
| SHIM,T=2.50 (Ref # 92025)                  | 92025-1880  | AR       |
| SHIM,T=2.55 (Ref # 92025A)                 | 92025-1881  | AR       |
| SHIM,T=2.60 (Ref # 92025B)                 | 92025-1882  | AR       |
| SHIM,T=2.65 (Ref # 92025C)                 | 92025-1883  | AR       |
| SHIM,T=2.70 (Ref # 92025D)                 | 92025-1884  | AR       |
| SHIM,T=2.75 (Ref # 92025E)                 | 92025-1885  | AR       |
| SHIM,T=2.80 (Ref # 92025F)                 | 92025-1886  | AR       |
| SHIM,T=2.85 (Ref # 92025G)                 | 92025-1887  | AR       |
| SHIM,T=2.90 (Ref # 92025H)                 | 92025-1888  | AR       |
| SHIM,T=2.95 (Ref # 92025I)                 | 92025-1889  | AR       |
| SHIM,T=3.00 (Ref # 92025J)                 | 92025-1890  | 16       |
| SEAL-OIL,VSB 4.3 7.5 5.3 8.3 (Ref # 92049) | 92049-1349  | 16       |
| SHIM,T=2.825 (Ref # 92180)                 | 92180-0216  | AR       |
| SHIM,T=2.875 (Ref # 92180A)                | 92180-0217  | AR       |
| SHIM,T=2.925 (Ref # 92180B)                | 92180-0218  | AR       |
| SHIM,T=2.975 (Ref # 92180C)                | 92180-0219  | AR       |
| SHIM,T=2.775 (Ref # 92180D)                | 92180-1196  | AR       |
| SHIM,T=3.025 (Ref # 92180E)                | 92180-1523  | AR       |

## 2019 NINJA® ZX™ -10R PARTS LIST

Valve(s)

| ITEM NAME                    | PART NUMBER | QUANTITY |
|------------------------------|-------------|----------|
| SHIM,T=3.050 (Ref # 92180F)  | 92180-1524  | AR       |
| SHIM,T=3.075 (Ref # 92180G)  | 92180-1525  | AR       |
| SHIM,T=3.100 (Ref # 92180H)  | 92180-1526  | AR       |
| SHIM,T=3.125 (Ref # 92180I)  | 92180-1527  | AR       |
| SHIM,T=3.150 (Ref # 92180J)  | 92180-1528  | AR       |
| SHIM,T=3.175 (Ref # 92180K)  | 92180-1529  | AR       |
| SHIM,T=3.200 (Ref # 92180L)  | 92180-1530  | AR       |
| SHIM,T=3.225 (Ref # 92180M)  | 92180-1531  | AR       |
| SHIM,T=3.250 (Ref # 92180N)  | 92180-1532  | AR       |
| SHIM,T=3.300 (Ref # 92180O)  | 92180-1533  | AR       |
| SHIM,T=3.350 (Ref # 92180P)  | 92180-1534  | AR       |
| SHIM,T=3.400 (Ref # 92180Q)  | 92180-1535  | AR       |
| SHIM,T=3.450 (Ref # 92180R)  | 92180-1536  | AR       |
| SHIM,T=3.500 (Ref # 92180S)  | 92180-1537  | AR       |
| SHIM,T=2.8125 (Ref # 92180T) | 92180-1566  | AR       |
| SHIM,T=2.8375 (Ref # 92180U) | 92180-1567  | AR       |
| SHIM,T=2.8625 (Ref # 92180V) | 92180-1569  | AR       |
| SHIM,T=2.8875 (Ref # 92180W) | 92180-1570  | AR       |
| SHIM,T=2.9125 (Ref # 92180X) | 92180-1572  | AR       |
| SHIM,T=2.9375 (Ref # 92180Y) | 92180-1573  | AR       |
| SHIM,T=2.9625 (Ref # 92180Z) | 92180-1575  | AR       |
| SHIM,T=2.9875 (Ref # 92181)  | 92180-1576  | AR       |
| SHIM,T=3.0125 (Ref # 92181A) | 92180-1578  | AR       |
| SHIM,T=3.0375 (Ref # 92181B) | 92180-1579  | AR       |
| SHIM,T=3.0625 (Ref # 92181C) | 92180-1580  | AR       |
| SHIM,T=3.0875 (Ref # 92181D) | 92180-1581  | AR       |
| SHIM,T=3.1125 (Ref # 92181E) | 92180-1582  | AR       |
| SHIM,T=3.1375 (Ref # 92181F) | 92180-1583  | AR       |
| SHIM,T=3.1625 (Ref # 92181G) | 92180-1584  | AR       |

## 2019 NINJA® ZX™-10R PARTS LIST

Valve(s)

| ITEM NAME                    | PART NUMBER | QUANTITY |
|------------------------------|-------------|----------|
| SHIM,T=3.1875 (Ref # 92181H) | 92180-1585  | AR       |