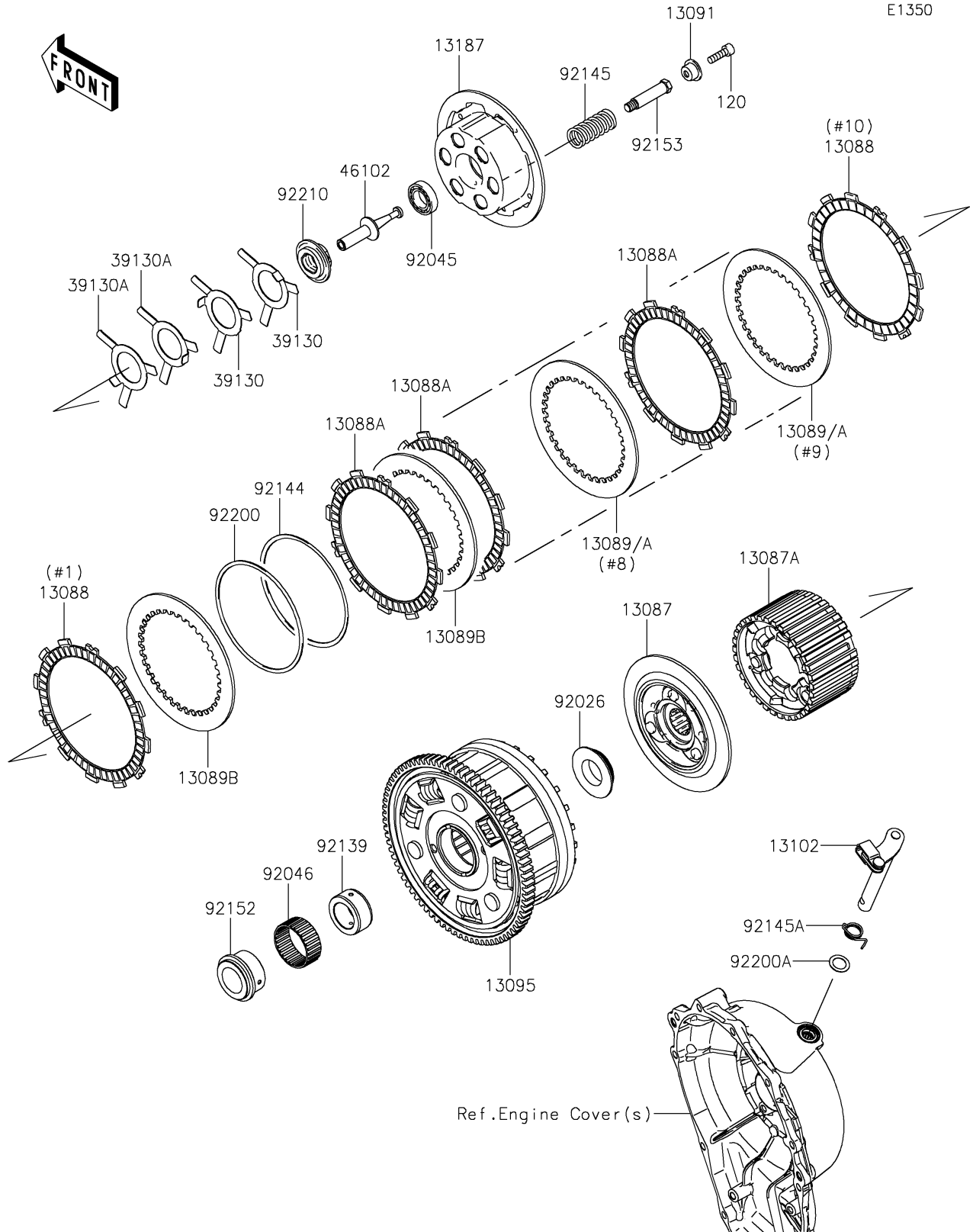


2019 NINJA® ZX™-10R KRT PARTS DIAGRAM

Clutch



2019 NINJA® ZX™-10R KRT PARTS LIST

Clutch

| ITEM NAME | PART NUMBER | QUANTITY |
|--------------------------------------|-------------|----------|
| BOLT-SOCKET,6X20 (Ref # 120) | 120Q0620 | 6 |
| HUB-CLUTCH (Ref # 13087) | 13087-0010 | 1 |
| HUB-CLUTCH (Ref # 13087A) | 13087-0011 | 1 |
| PLATE-FRICTION (Ref # 13088) | 13088-0003 | 2 |
| PLATE-FRICTION (Ref # 13088A) | 13088-0013 | 8 |
| PLATE-CLUTCH,T=2.3 (Ref # 13089) | 13089-0008 | AR |
| PLATE-CLUTCH,T=2.6 (Ref # 13089A) | 13089-0009 | 2 |
| PLATE-CLUTCH,T=2.9 (Ref # 13089B) | 13089-1093 | 7 |
| HOLDER,CLUTCH SPRING (Ref # 13091) | 13091-1840 | 6 |
| HOUSING-COMP-CLUTCH (Ref # 13095) | 13095-0582 | 1 |
| RELEASE-COMP-CLUTCH (Ref # 13102) | 13102-0049 | 1 |
| PLATE-CLUTCH OPERATING (Ref # 13187) | 13187-0006 | 1 |
| SPRING-LEAF (Ref # 39130) | 39130-1078 | 2 |
| SPRING-LEAF (Ref # 39130A) | 39130-1079 | 2 |
| ROD (Ref # 46102) | 46102-0609 | 1 |
| SPACER (Ref # 92026) | 92026-0164 | 1 |
| BEARING-BALL,6903/2A (Ref # 92045) | 92045-1053 | 1 |
| BEARING-NEEDLE (Ref # 92046) | 92046-0041 | 1 |
| BUSHING,25X38X17.3 (Ref # 92139) | 92139-0304 | 1 |
| SPRING,FRICTION PLATE (Ref # 92144) | 92144-1854 | 1 |
| SPRING,CLUTCH (Ref # 92145) | 92145-0220 | 6 |
| SPRING,RELEASE-COMP (Ref # 92145A) | 92145-1775 | 1 |
| COLLAR (Ref # 92152) | 92152-0866 | 1 |
| BOLT (Ref # 92153) | 92153-0797 | 6 |
| WASHER,FRICTION PLATE (Ref # 92200) | 92200-1260 | 1 |
| WASHER,12X18.5X0.5 (Ref # 92200A) | 92200-1487 | 1 |
| NUT (Ref # 92210) | 92210-0152 | 1 |