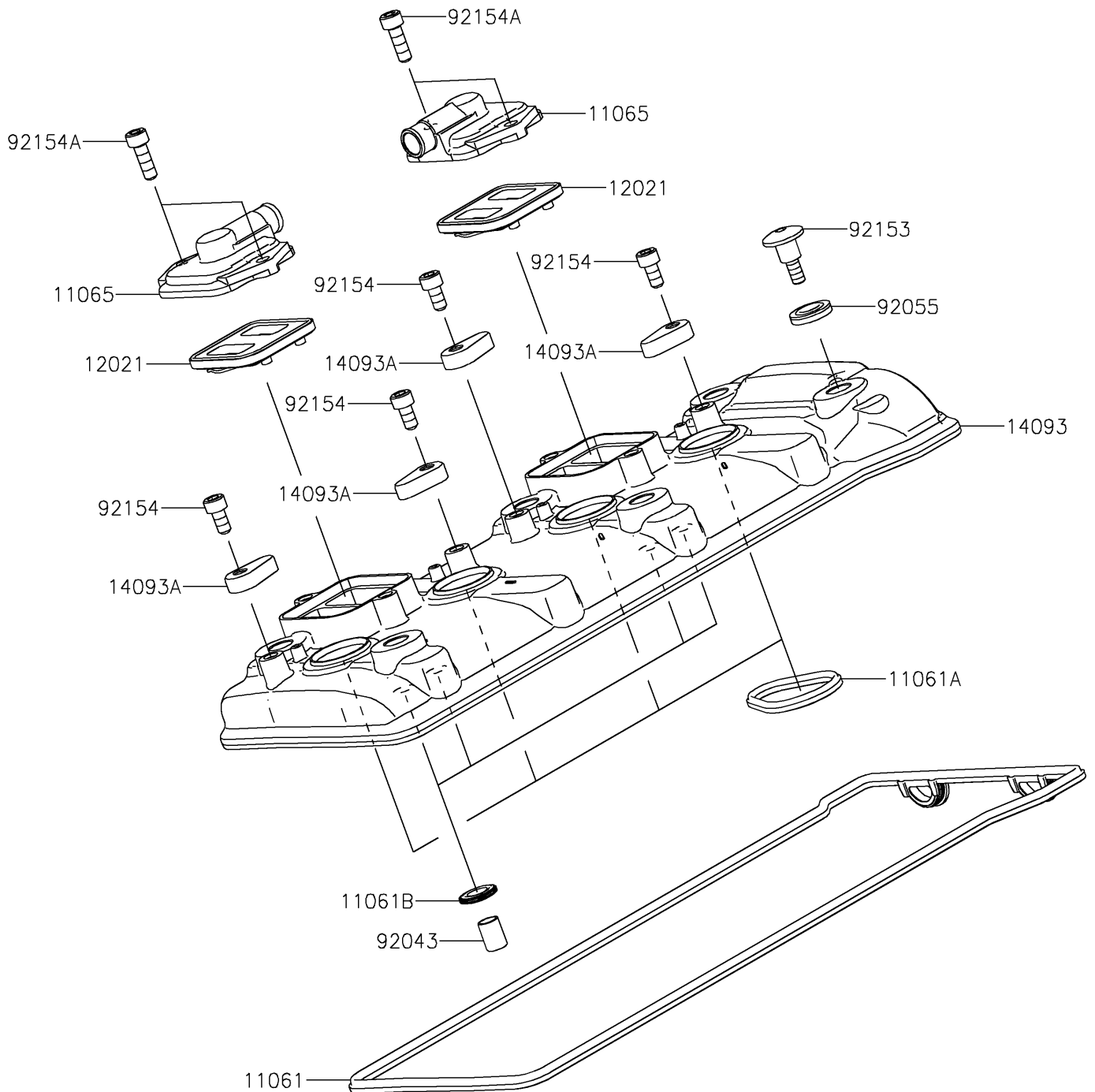


# 2020 NINJA® ZX™ -10R ABS KRT EDITION PARTS DIAGRAM

Cylinder Head Cover

E1112



## 2020 NINJA® ZX™ -10R ABS KRT EDITION PARTS LIST

### Cylinder Head Cover

| ITEM NAME                        | PART NUMBER | QUANTITY |
|----------------------------------|-------------|----------|
| GASKET,HEAD COVER (Ref # 11061)  | 11061-1290  | 1        |
| GASKET,PLUG HOLE (Ref # 11061A)  | 11061-1291  | 4        |
| GASKET (Ref # 11061B)            | 11061-1292  | 4        |
| CAP (Ref # 11065)                | 11065-0360  | 2        |
| VALVE-ASSY-REED (Ref # 12021)    | 12021-0021  | 2        |
| COVER,HEAD (Ref # 14093)         | 14093-0760  | 1        |
| COVER (Ref # 14093A)             | 14093-0770  | 4        |
| PIN,DOWEL,10X14 (Ref # 92043)    | 92043-1037  | 4        |
| RING-O (Ref # 92055)             | 92055-0785  | 6        |
| BOLT,SOCKET,6X22.5 (Ref # 92153) | 92153-1779  | 6        |
| BOLT,SOCKET,6X12 (Ref # 92154)   | 92154-1820  | 4        |
| BOLT,SOCKET,6X18 (Ref # 92154A)  | 92154-1832  | 4        |