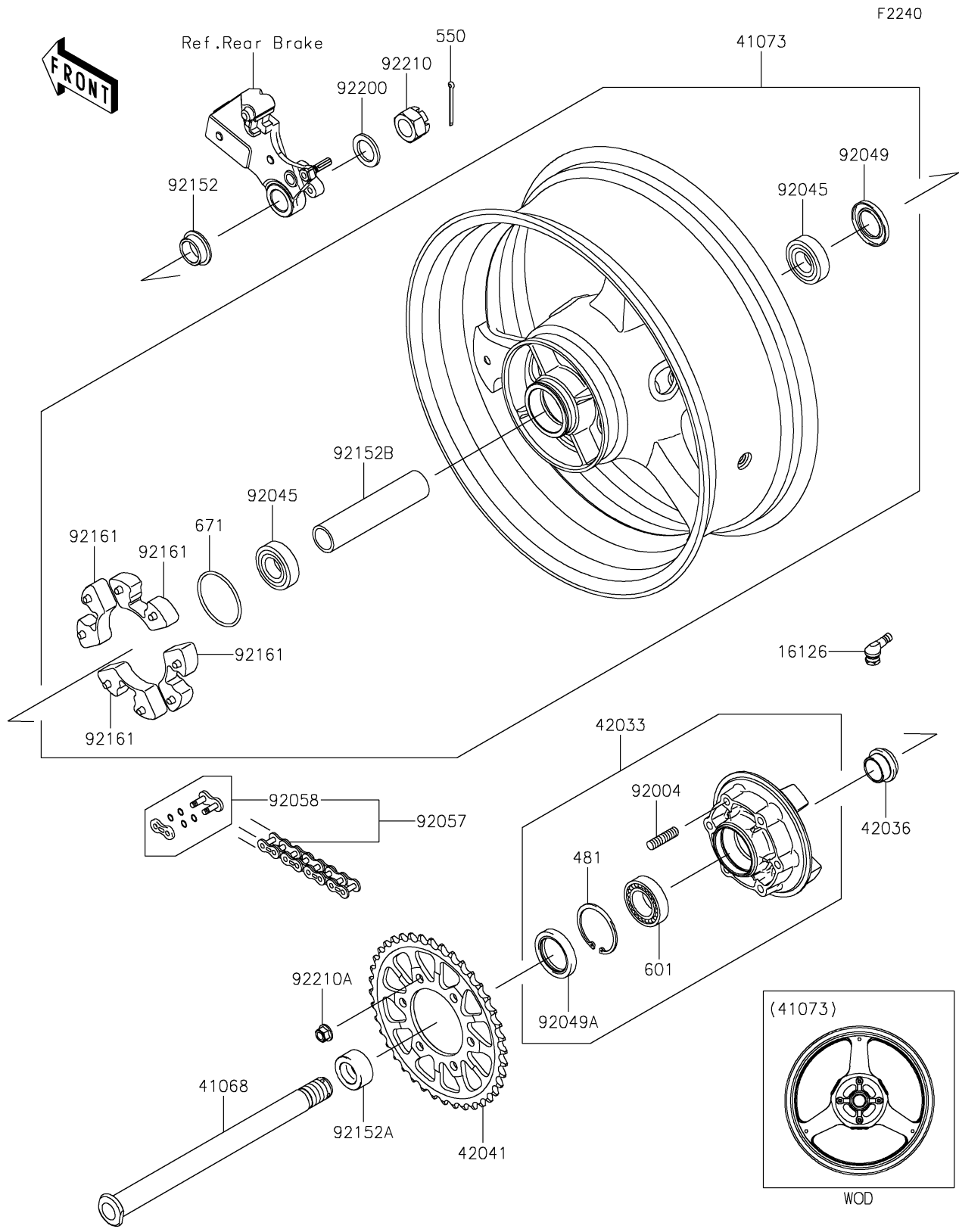


2020 NINJA® ZX™-10R ABS KRT EDITION PARTS DIAGRAM

Rear Wheel/Chain



2020 NINJA® ZX™ -10R ABS KRT EDITION PARTS LIST

Rear Wheel/Chain

| ITEM NAME | PART NUMBER | QUANTITY |
|---|----------------|----------|
| VALVE (Ref # 16126) | 16126-0735 | 1 |
| AXLE,RR,24X326 (Ref # 41068) | 41068-0613 | 1 |
| WHEEL-ASSY,RR,G.BLACK (Ref # 41073) | 41073-0758-18F | 1 |
| COUPLING-ASSY,RR HUB (Ref # 42033) | 42033-0038 | 1 |
| SLEEVE,RR HUB,L=22 (Ref # 42036) | 42036-1279 | 1 |
| SPROCKET-HUB,39T (Ref # 42041) | 42041-0096 | 1 |
| CIRCLIP (Ref # 481) | 481J5500 | 1 |
| PIN-COTTER,4.0X45 (Ref # 550) | 550AA4045 | 1 |
| BEARING-BALL,#6006G (Ref # 601) | 601B6006G | 1 |
| O RING,60MM (Ref # 671) | 671B2560 | 1 |
| STUD,10X19 (Ref # 92004) | 92004-0028 | 6 |
| BEARING-BALL,25X52X15 (Ref # 92045) | 92045-0804 | 2 |
| SEAL-OIL,31X52X5 (Ref # 92049) | 92049-0722 | 1 |
| SEAL-OIL,PJN 40 55 8 (Ref # 92049A) | 92049-1376 | 1 |
| CHAIN,DRIVE,EK525RMX3/3D,114L (Ref # 92057) | 92057-0672 | 1 |
| JOINT-CHAIN (Ref # 92058) | 92058-0041 | 1 |
| COLLAR,25X32X13 (Ref # 92152) | 92152-0289 | 1 |
| COLLAR,25X40X18.7 (Ref # 92152A) | 92152-0867 | 1 |
| COLLAR (Ref # 92152B) | 92152-0868 | 1 |
| DAMPER,SHOCK,RR HUB (Ref # 92161) | 92161-0342 | 4 |
| WASHER,25.5X38X3.2 (Ref # 92200) | 92200-0278 | 1 |
| NUT,CASTLE,24MM (Ref # 92210) | 92210-0280 | 1 |
| NUT,LOCK,FLANGED,10MM (Ref # 92210A) | 92210-1139 | 6 |