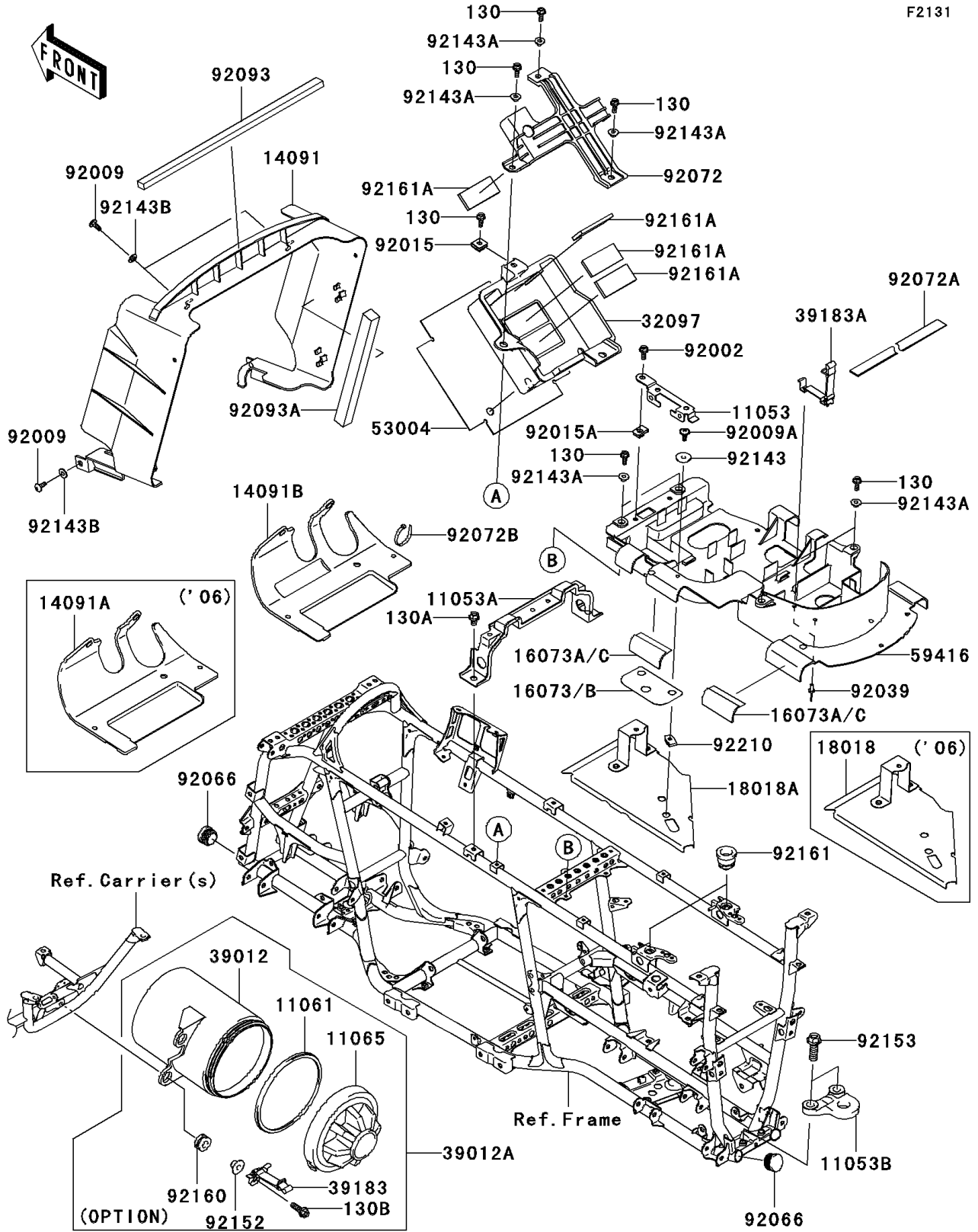


2006 Brute Force 750 4x4i PARTS DIAGRAM

Frame Fittings



2006 Brute Force 750 4x4i PARTS LIST

Frame Fittings

| ITEM NAME | PART NUMBER | QUANTITY |
|--|-------------|----------|
| BRACKET,FUSE ASSY (Ref # 11053) | 11053-0937 | 1 |
| BRACKET,SEAT&BATTERY BAND (Ref # 11053A) | 11053-0969 | 1 |
| BRACKET,TRAILER HITCH (Ref # 11053B) | 11053-1638 | 1 |
| GASKET,TOOL CASE (Ref # 11061) | 11061-0072 | 1 |
| CAP,TOOL CASE (Ref # 11065) | 11065-0088 | 1 |
| COVER,RADIATOR (Ref # 14091) | 14091-0338 | 1 |
| COVER,AIR CLEANER (Ref # 14091A) | 14091-0504 | 1 |
| INSULATOR,ELECTRIC CASE (Ref # 16073) | 16073-0018 | 1 |
| INSULATOR,ELECTRIC CASE (Ref # 16073A) | 16073-0027 | 2 |
| PLATE-HEAT GUARD (Ref # 18018) | 18018-0003 | 1 |
| CASE-BATTERY (Ref # 32097) | 32097-0009 | 1 |
| CASE-STORAGE (Ref # 39012) | 39012-0005 | 1 |
| CASE-STORAGE,ASSY (Ref # 39012A) | 39012-5013 | 1 |
| BAND-ASSY,TOOL BAG (Ref # 39183) | 39183-0003 | 1 |
| BAND-ASSY,TOOL BAG (Ref # 39183A) | 39183-1065 | 1 |
| MAT,BATTERY CASE (Ref # 53004) | 53004-0002 | 1 |
| CASE-ELECTRIC (Ref # 59416) | 59416-0004 | 1 |
| BOLT,6X16 (Ref # 92002) | 92002-1571 | 1 |
| SCREW,TAPPING,6X16 (Ref # 92009) | 92009-1166 | 4 |
| SCREW,6X16 (Ref # 92009A) | 92009-1621 | 1 |
| NUT,6MM (Ref # 92015) | 92015-1094 | 1 |
| NUT,6MM (Ref # 92015A) | 92015-1602 | 1 |
| RIVET,4.8MM (Ref # 92039) | 92039-3719 | 2 |
| PLUG (Ref # 92066) | 92066-0036 | 4 |
| BAND,BATTERY (Ref # 92072) | 92072-0033 | 1 |
| BAND,MAGIC TAPE (Ref # 92072A) | 92072-0040 | 1 |
| BAND,L=188 (Ref # 92072B) | 92072-1239 | 4 |
| SEAL,L=408 (Ref # 92093) | 92093-0024 | 1 |
| SEAL,L=250 (Ref # 92093A) | 92093-0028 | 2 |

2006 Brute Force 750 4x4i PARTS LIST

Frame Fittings

| ITEM NAME | PART NUMBER | QUANTITY |
|----------------------------------|-------------|----------|
| COLLAR,L=6.5 (Ref # 92143) | 92143-1025 | 1 |
| COLLAR (Ref # 92143A) | 92143-1057 | 7 |
| COLLAR (Ref # 92143B) | 92143-1087 | 4 |
| BOLT-FLANGED,6X16 (Ref # 130) | 130J0616 | 8 |
| BOLT-FLANGED,8X12 (Ref # 130A) | 130J0812 | 2 |
| BOLT-FLANGED,8X25 (Ref # 130B) | 130J0825 | 2 |
| COLLAR (Ref # 92152) | 92152-0155 | 2 |
| BOLT,FLANGED,12X35 (Ref # 92153) | 92153-0847 | 2 |
| DAMPER (Ref # 92160) | 92160-1151 | 2 |
| DAMPER (Ref # 92161) | 92161-0048 | 2 |
| DAMPER (Ref # 92161A) | 92161-1127 | 4 |
| NUT (Ref # 92210) | 92210-1331 | 1 |