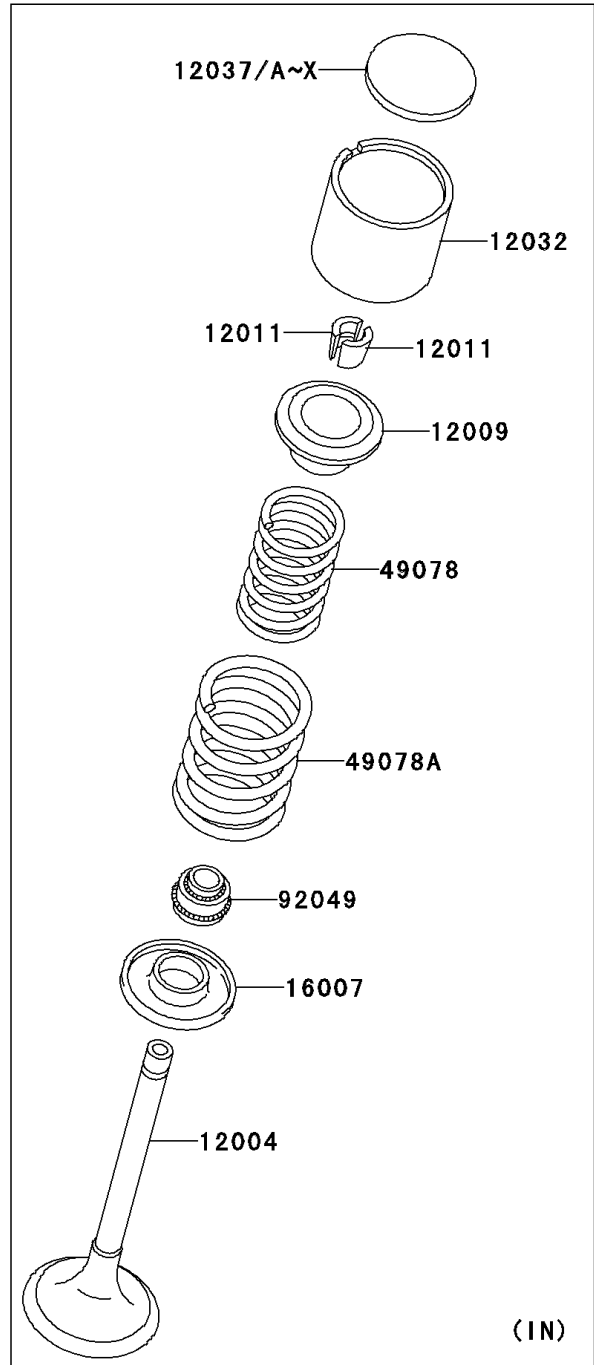
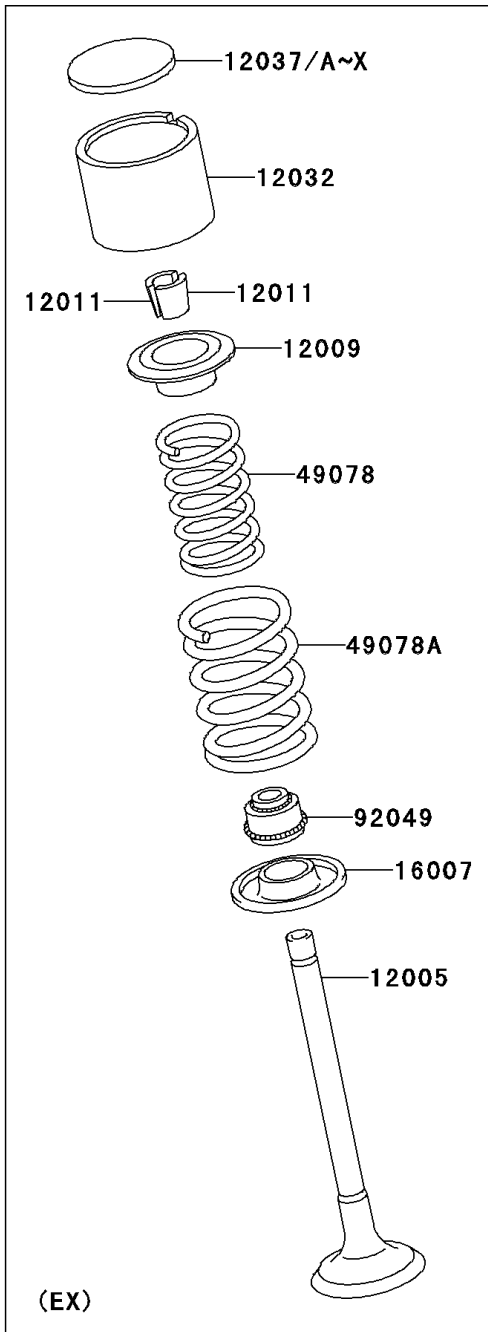


# 2008 KLR™ 650 PARTS DIAGRAM

Valve(s)

E1210



## 2008 KLR™ 650 PARTS LIST

Valve(s)

| ITEM NAME                           | PART NUMBER | QUANTITY |
|-------------------------------------|-------------|----------|
| VALVE-INTAKE (Ref # 12004)          | 12004-1087  | 2        |
| VALVE-EXHAUST (Ref # 12005)         | 12005-1085  | 2        |
| RETAINER-VALVE SPRING (Ref # 12009) | 12009-005   | 4        |
| COLLET,RETAINER (Ref # 12011)       | 12011-004   | 8        |
| TAPPET (Ref # 12032)                | 12032-1002  | 4        |
| SHIM,T=2.00 (Ref # 12037)           | 12037-001   | AR       |
| SHIM,T=2.05 (Ref # 12037A)          | 12037-002   | AR       |
| SHIM,T=2.10 (Ref # 12037B)          | 12037-003   | AR       |
| SHIM,T=2.15 (Ref # 12037C)          | 12037-004   | AR       |
| SHIM,T=2.20 (Ref # 12037D)          | 12037-005   | AR       |
| SHIM,T=2.25 (Ref # 12037E)          | 12037-006   | AR       |
| SHIM,T=2.30 (Ref # 12037F)          | 12037-007   | AR       |
| SHIM,T=2.35 (Ref # 12037G)          | 12037-008   | AR       |
| SHIM,T=2.40 (Ref # 12037H)          | 12037-009   | AR       |
| SHIM,T=2.45 (Ref # 12037I)          | 12037-010   | AR       |
| SHIM,T=2.50 (Ref # 12037J)          | 12037-011   | AR       |
| SHIM,T=2.55 (Ref # 12037K)          | 12037-012   | AR       |
| SHIM,T=2.60 (Ref # 12037L)          | 12037-013   | AR       |
| SHIM,T=2.65 (Ref # 12037M)          | 12037-014   | AR       |
| SHIM,T=2.70 (Ref # 12037N)          | 12037-015   | AR       |
| SHIM,T=2.75 (Ref # 12037O)          | 12037-016   | AR       |
| SHIM,T=2.80 (Ref # 12037P)          | 12037-017   | AR       |
| SHIM,T=2.85 (Ref # 12037Q)          | 12037-018   | AR       |
| SHIM,T=2.90 (Ref # 12037R)          | 12037-019   | AR       |
| SHIM,T=2.95 (Ref # 12037S)          | 12037-020   | AR       |
| SHIM,T=3.00 (Ref # 12037T)          | 12037-021   | AR       |
| SHIM,T=3.05 (Ref # 12037U)          | 12037-022   | AR       |
| SHIM,T=3.10 (Ref # 12037V)          | 12037-023   | AR       |
| SHIM,T=3.15 (Ref # 12037W)          | 12037-024   | AR       |

## 2008 KLR™ 650 PARTS LIST

Valve(s)

| ITEM NAME                                | PART NUMBER | QUANTITY |
|--|-------------|----------|
| SHIM,T=3.20 (Ref # 12037X)               | 12037-025   | AR       |
| SEAT-SPRING,VALVE (Ref # 16007)          | 16007-1024  | 4        |
| SPRING-ENGINE VALVE,INNER (Ref # 49078)  | 49078-1065  | 4        |
| SPRING-ENGINE VALVE,OUTER (Ref # 49078A) | 49078-1066  | 4        |
| SEAL-OIL,RV37129.5 (Ref # 92049)         | 92049-016   | 4        |