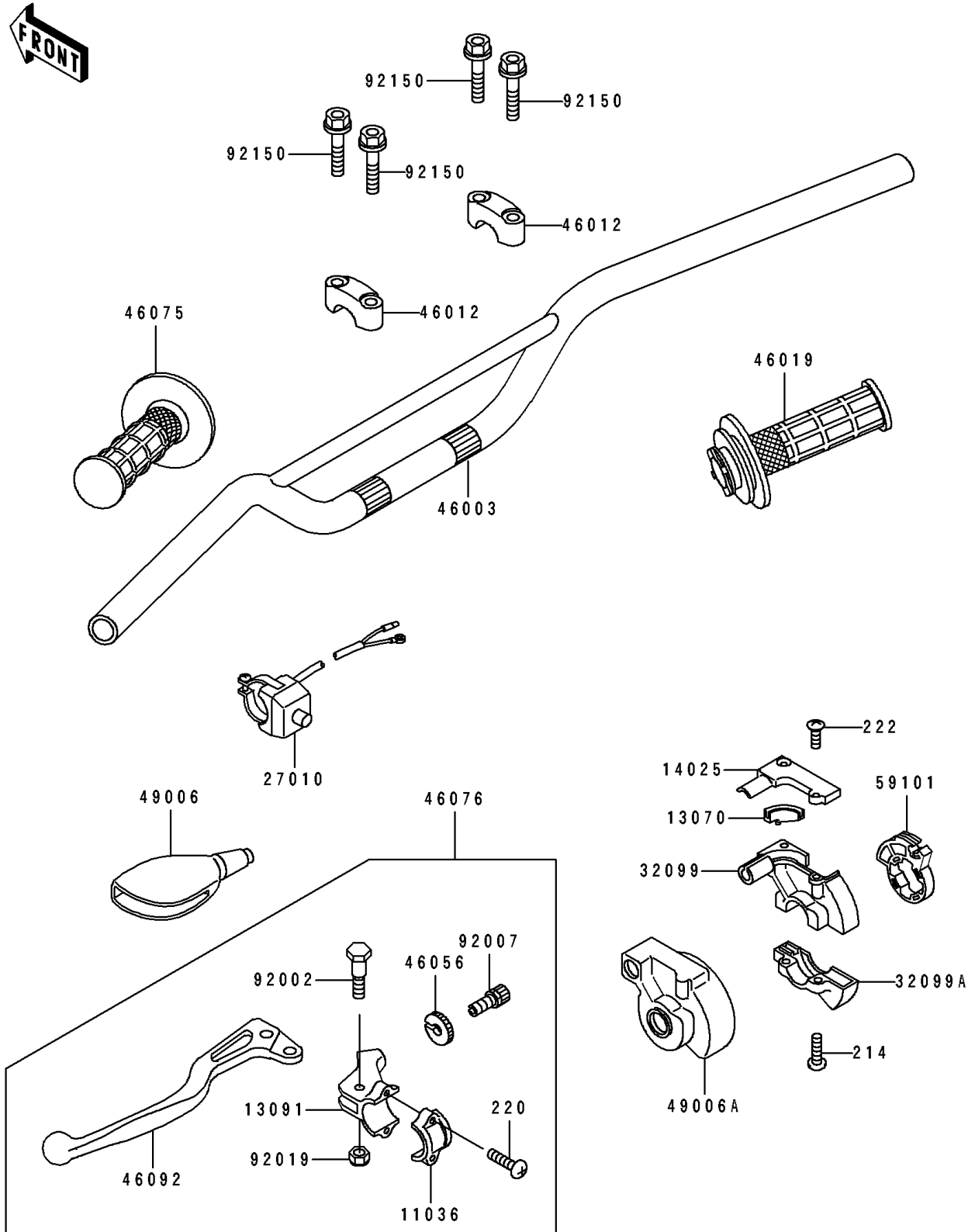


# 1996 KX100 PARTS DIAGRAM

Handlebar

F2310



# 1996 KX100 PARTS LIST

## Handlebar

| ITEM NAME                             | PART NUMBER   | QUANTITY |
|---------------------------------------|---------------|----------|
| BRACKET-A,LEVER HOLDER (Ref # 11036)  | 11036-1297    | 1        |
| GUIDE,THROTTLE (Ref # 13070)          | 13070-1074    | 1        |
| HOLDER,CLUTCH LEVER (Ref # 13091)     | 13091-1131    | 1        |
| COVER,THROTTLE CASE UPP (Ref # 14025) | 14025-1646    | 1        |
| SWITCH,ENGINE STOP (Ref # 27010)      | 27010-1297    | 1        |
| CASE,THROTTLE UPP (Ref # 32099)       | 32099-1036    | 1        |
| CASE,THROTTLE LWR (Ref # 32099A)      | 32099-1044    | 1        |
| HANDLE,L.GREEN (Ref # 46003)          | 46003-1310-CC | 1        |
| HOLDER-HANDLE (Ref # 46012)           | 46012-1191    | 2        |
| GRIP-ASSY,THROTTLE (Ref # 46019)      | 46019-1054    | 1        |
| NUT,CABLE ADJUST (Ref # 46056)        | 46056-006     | 1        |
| GRIP,LH (Ref # 46075)                 | 46075-1024    | 1        |
| LEVER-ASSY-GRIP,CLUTCH (Ref # 46076)  | 46076-1118    | 1        |
| LEVER-GRIP,CLUTCH (Ref # 46092)       | 46092-1110    | 1        |
| BOOT,LEVER HOLDER (Ref # 49006)       | 49006-1017    | 1        |
| BOOT,THROTTLE CASE (Ref # 49006A)     | 49006-1097    | 1        |
| REEL,THROTTLE (Ref # 59101)           | 59101-1110    | 1        |
| BOLT,LEVER SET (Ref # 92002)          | 92002-1150    | 1        |
| SCREW,CABLE ADJUST,7MM (Ref # 92007)  | 92007-1143    | 1        |
| NUT,LOCK,6MM (Ref # 92019)            | 92019-008     | 1        |
| BOLT,FLANGED,8X30 (Ref # 92150)       | 92150-1455    | 4        |
| SCREW-PAN+- (Ref # 214)               | 214C0518      | 2        |
| SCREW-PAN-CROS (Ref # 220)            | 220C0514      | 2        |
| SCREW-CSK-RD-CROS (Ref # 222)         | 222E0412      | 2        |