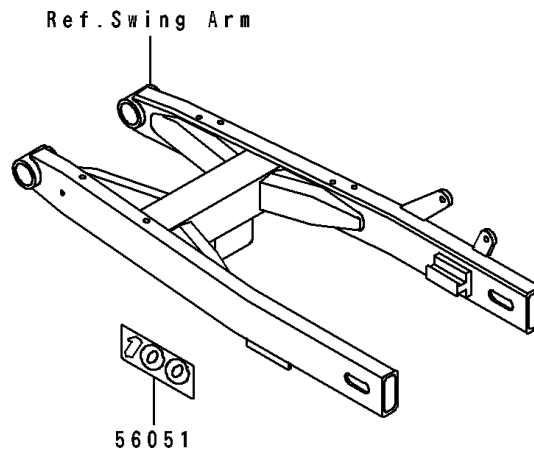
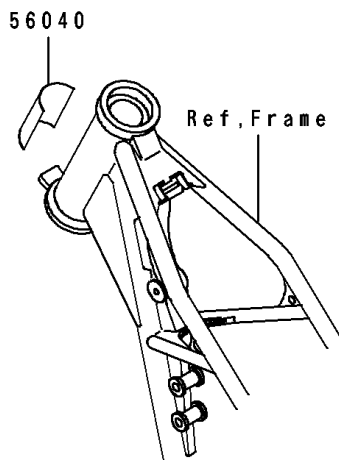
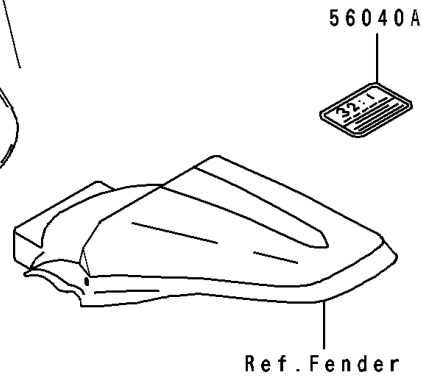
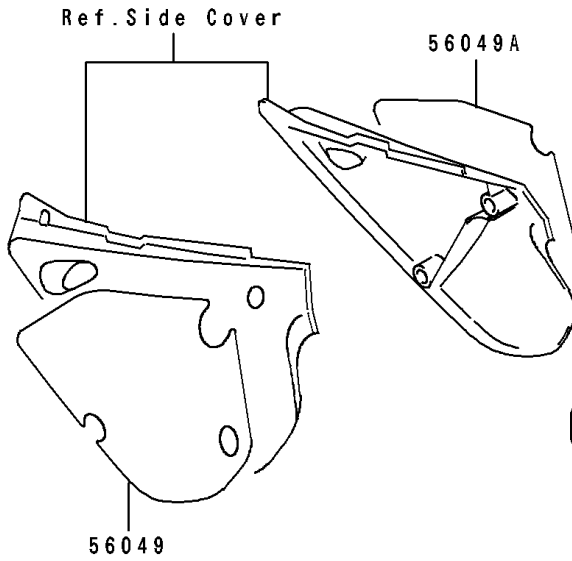
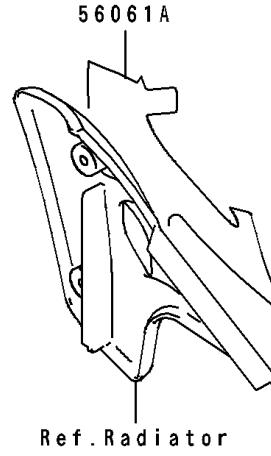
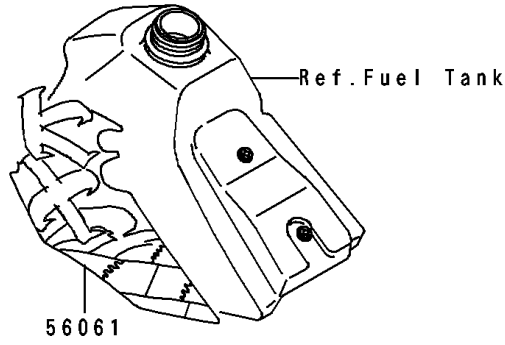


1995 KX100 PARTS DIAGRAM

Labels(KX100-B5)

F2860



1995 KX100 PARTS LIST

Labels(KX100-B5)

| ITEM NAME | PART NUMBER | QUANTITY |
|---|-------------|----------|
| LABEL-WARNING,NOISE (Ref # 56040) | 56040-1101 | 1 |
| LABEL-WARNING,GASOLINE/OIL (Ref # 56040A) | 56040-1129 | 1 |
| PATTERN,SIDE COVER,LH (Ref # 56049) | 56049-1707 | 1 |
| PATTERN,SIDE COVER,RH (Ref # 56049A) | 56049-1708 | 1 |
| MARK,SWING ARM,100 (Ref # 56051) | 56051-1176 | 2 |
| PATTERN,FUEL TANK,LH (Ref # 56061) | 56061-1096 | 1 |
| PATTERN,SHROUD,RH (Ref # 56061A) | 56061-1097 | 1 |