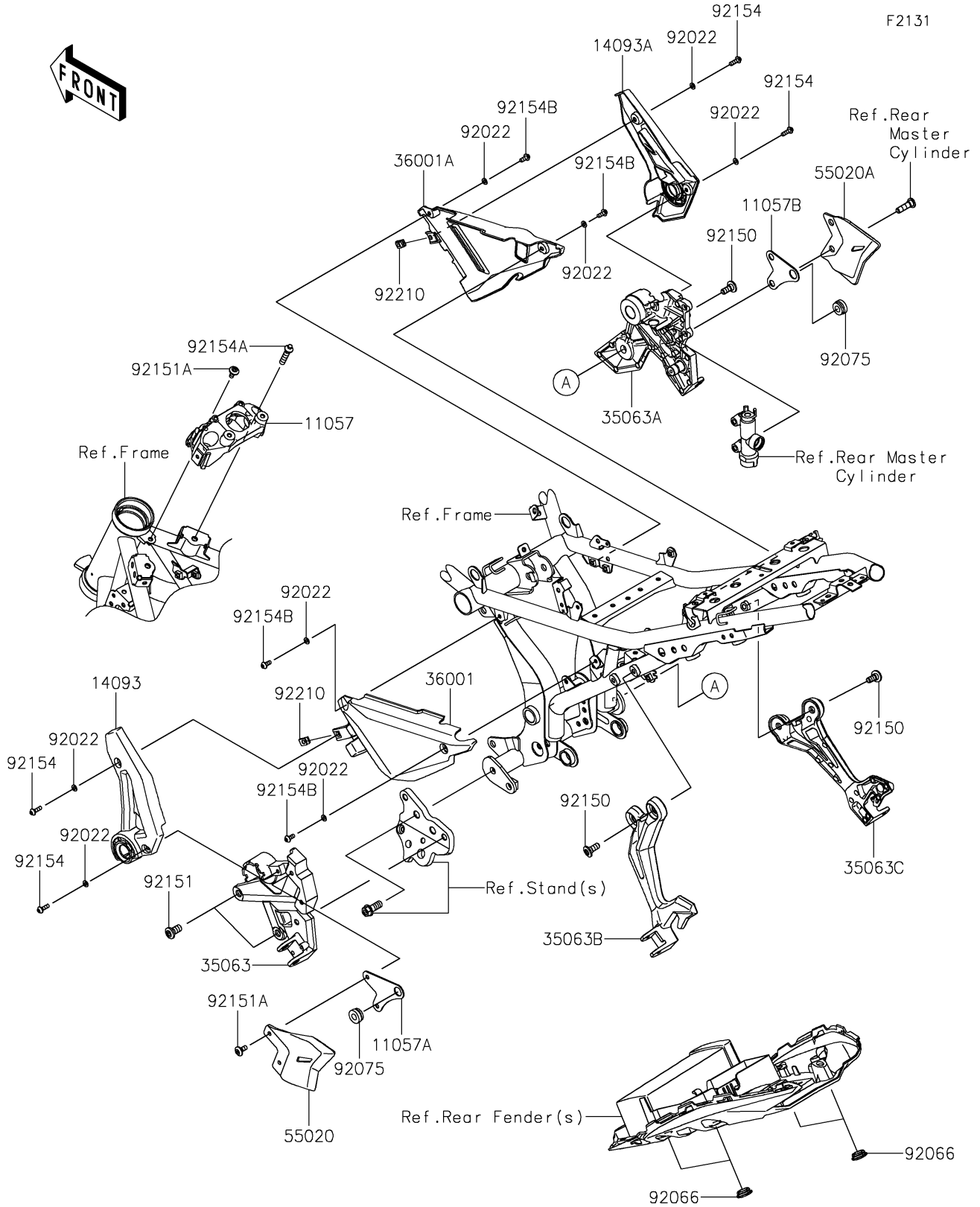


2020 Z650 PARTS DIAGRAM

Frame Fittings



2020 Z650 PARTS LIST

Frame Fittings

| ITEM NAME | PART NUMBER | QUANTITY |
|--|----------------|----------|
| BRACKET,IG. SWITCH (Ref # 11057) | 11057-0079 | 1 |
| BRACKET,STEP STAY,LH (Ref # 11057A) | 11057-0476 | 1 |
| BRACKET,STEP STAY,RH (Ref # 11057B) | 11057-0477 | 1 |
| COVER,STEP,LH,F.S.BLACK (Ref # 14093) | 14093-0480-18T | 1 |
| COVER,STEP,RH,F.S.BLACK (Ref # 14093A) | 14093-0623-18T | 1 |
| STAY,STEP,FR,LH,F.S.BLACK (Ref # 35063) | 35063-1348-18R | 1 |
| STAY,STEP,FR,RH,F.S.BLACK (Ref # 35063A) | 35063-1349-18R | 1 |
| STAY,STEP,RR,LH,F.S.BLACK (Ref # 35063B) | 35063-1350-18R | 1 |
| STAY,STEP,RR,RH,F.S.BLACK (Ref # 35063C) | 35063-1351-18R | 1 |
| COVER-SIDE,LH (Ref # 36001) | 36001-0642 | 1 |
| COVER-SIDE,RH (Ref # 36001A) | 36001-0643 | 1 |
| GUARD,HEEL,LH (Ref # 55020) | 55020-1956 | 1 |
| GUARD,HEEL,RH (Ref # 55020A) | 55020-1957 | 1 |
| WASHER,5.1X10X1.0 (Ref # 92022) | 92022-1977 | 8 |
| PLUG (Ref # 92066) | 92066-0096 | 4 |
| DAMPER (Ref # 92075) | 92075-277 | 2 |
| BOLT,SOCKET,8X20 (Ref # 92150) | 92150-1760 | 5 |
| BOLT,SOCKET,10X20 (Ref # 92151) | 92151-1557 | 2 |
| BOLT,SOCKET,6X14 (Ref # 92151A) | 92151-1654 | 3 |
| BOLT,SOCKET,5X16 (Ref # 92154) | 92154-0209 | 4 |
| BOLT,TORX,8X35 (Ref # 92154A) | 92154-0730 | 2 |
| BOLT,SOCKET,5X12 (Ref # 92154B) | 92154-0917 | 4 |
| NUT,PLATE,5MM (Ref # 92210) | 92210-0935 | 2 |