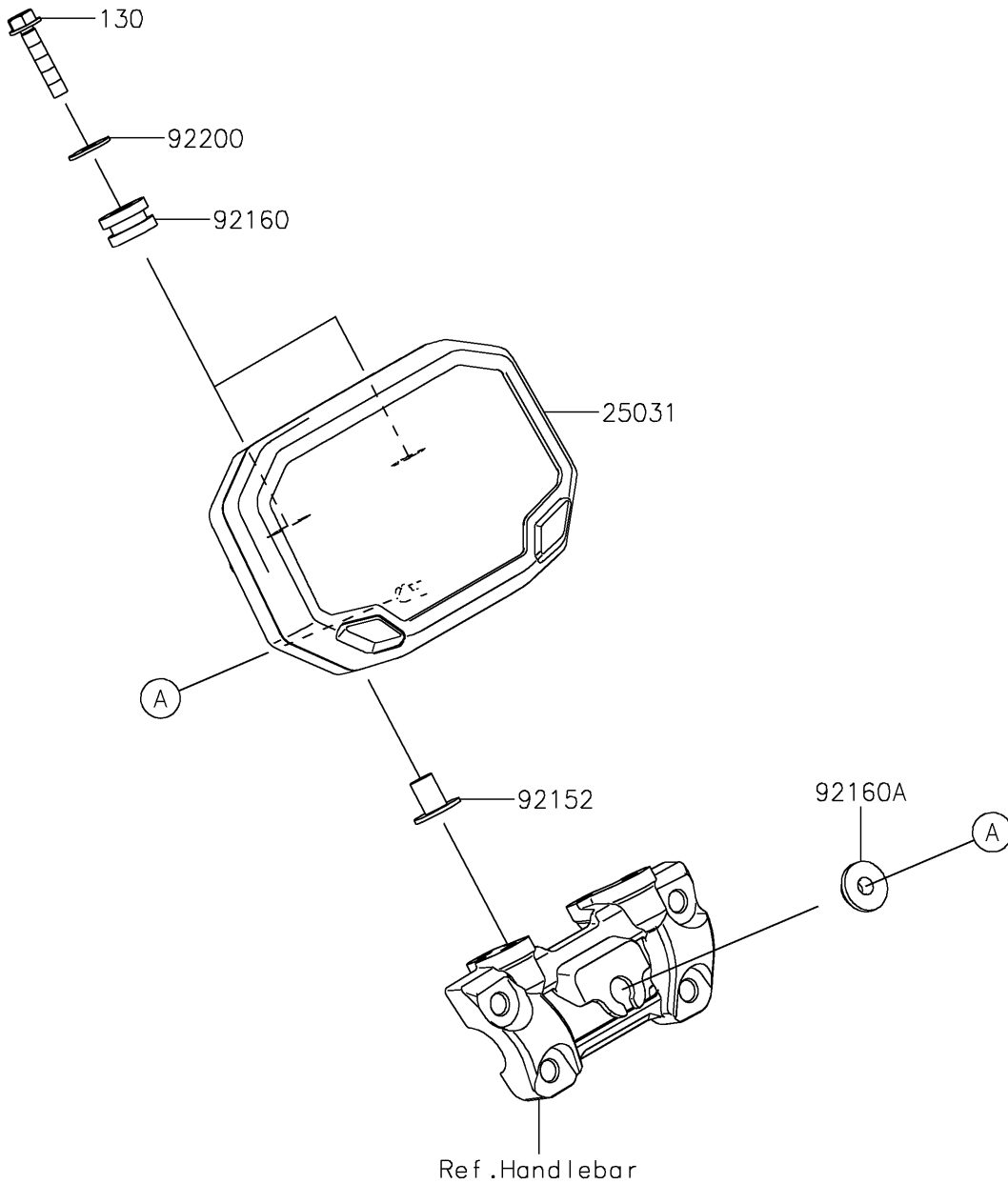


2020 Z650 PARTS DIAGRAM

Meter(s)

F2530



2020 Z650 PARTS LIST

Meter(s)

ITEM NAME	PART NUMBER	QUANTITY
BOLT-FLANGED,6X30 (Ref # 130)	130BB0630	2
METER-ASSY,TFT DISPLAY (Ref # 25031)	25031-0868	1
COLLAR,6.3X20X15.1 (Ref # 92152)	92152-2322	2
DAMPER,10X20X12 (Ref # 92160)	92160-1167	2
DAMPER (Ref # 92160A)	92160-1613	1
WASHER,6.2X18X1.2 (Ref # 92200)	92200-1889	2