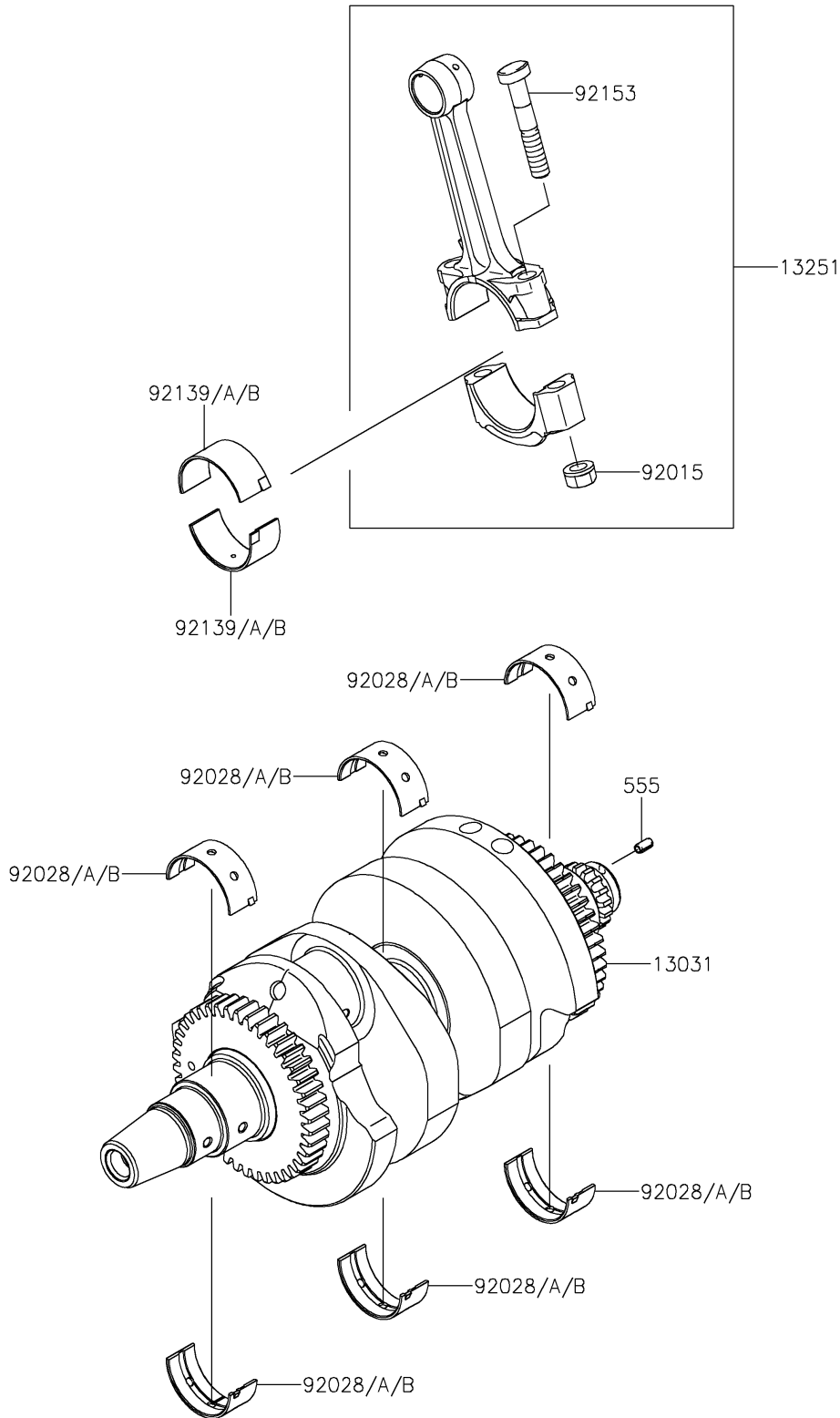


2020 Ninja® 650 PARTS DIAGRAM

Crankshaft

E1321



2020 Ninja® 650 PARTS LIST

Crankshaft

| ITEM NAME | PART NUMBER | QUANTITY |
|-----------|-------------|----------|
|-----------|-------------|----------|