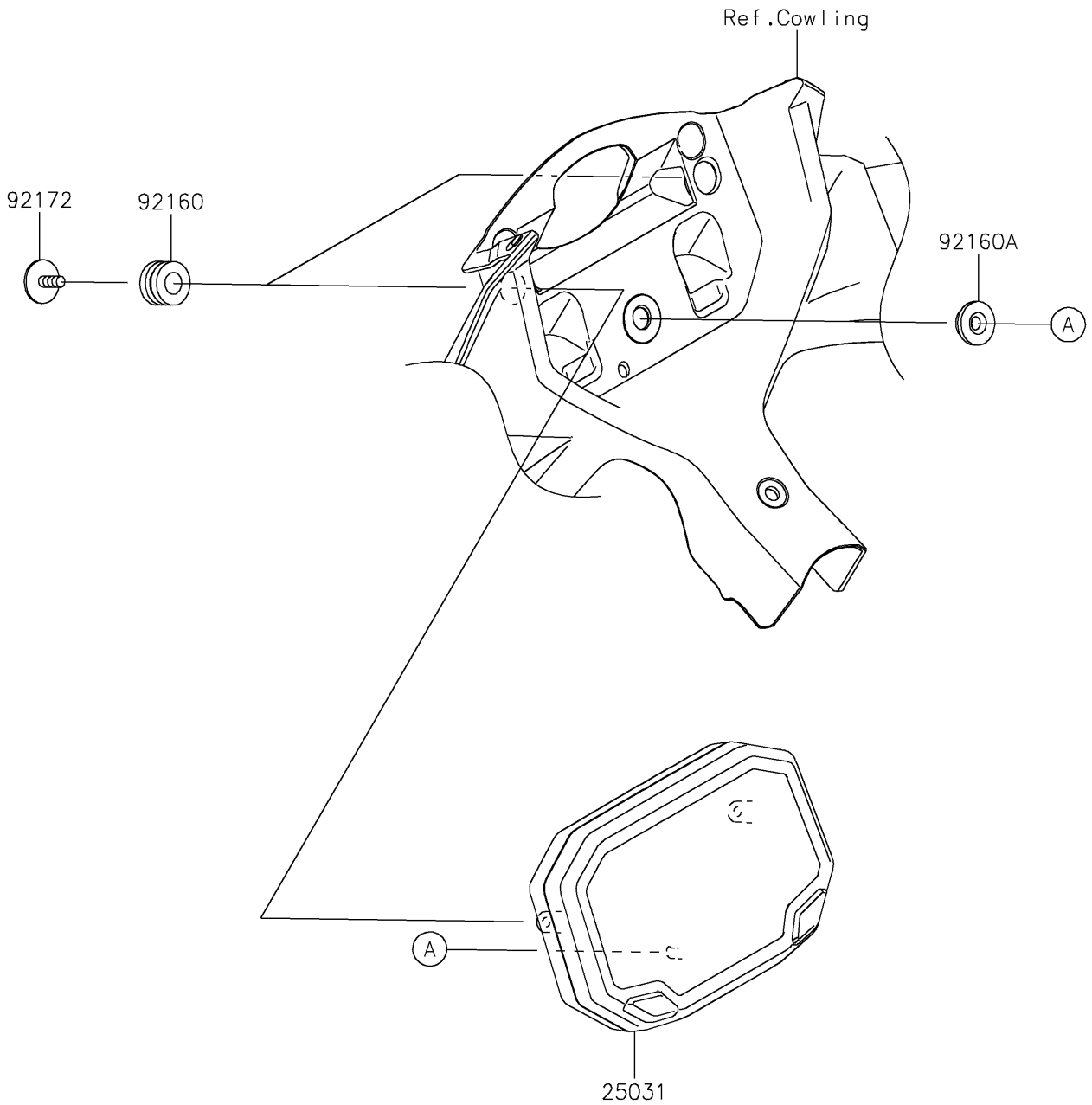


2020 Ninja® 650 PARTS DIAGRAM

Meter(s)

F2530



2020 Ninja® 650 PARTS LIST

Meter(s)

| ITEM NAME | PART NUMBER | QUANTITY |
|--------------------------------------|-------------|----------|
| METER-ASSY,TFT DISPLAY (Ref # 25031) | 25031-0868 | 1 |
| DAMPER,10X20X12 (Ref # 92160) | 92160-1167 | 2 |
| DAMPER (Ref # 92160A) | 92160-1613 | 1 |
| SCREW,CROSS,5X14 (Ref # 92172) | 92172-1226 | 2 |