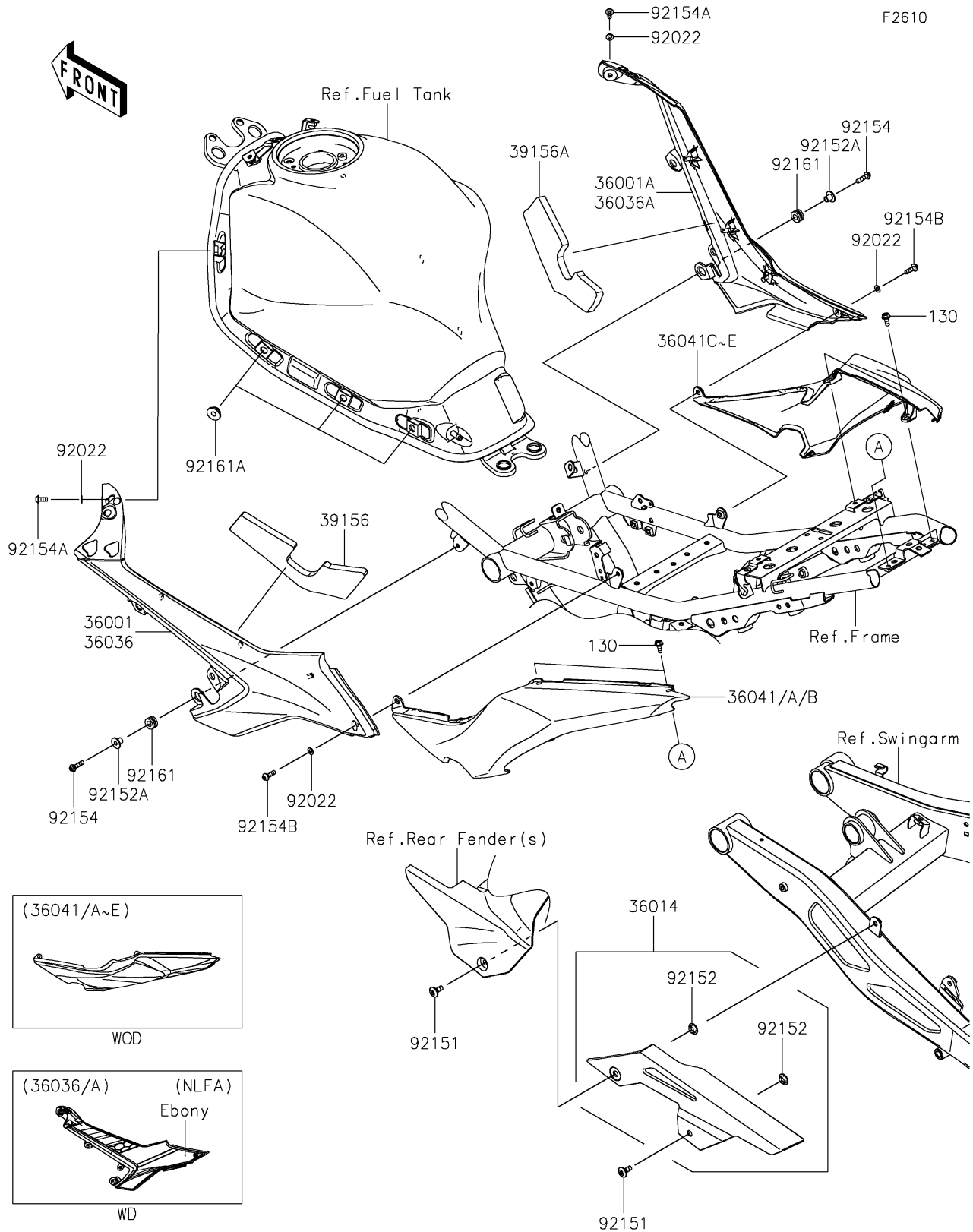


2020 Ninja® 650 PARTS DIAGRAM

Side Covers/Chain Cover



2020 Ninja® 650 PARTS LIST

Side Covers/Chain Cover

| ITEM NAME | PART NUMBER | QUANTITY |
|-----------|-------------|----------|
|-----------|-------------|----------|