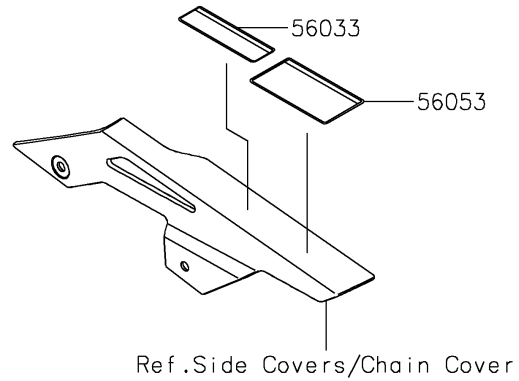
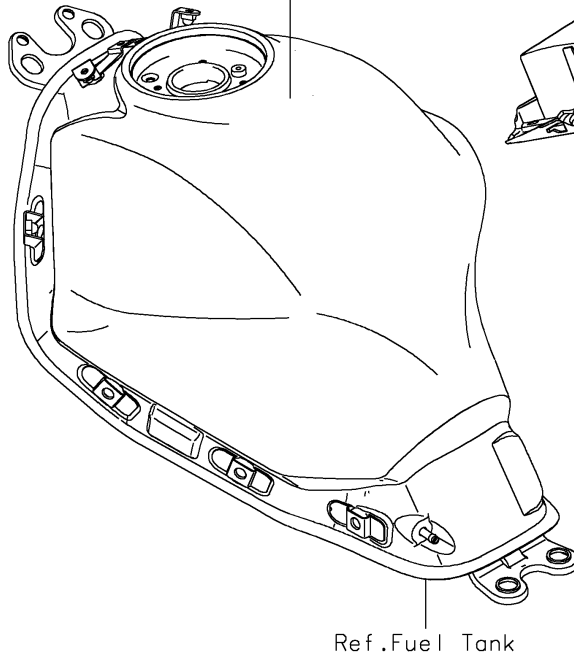
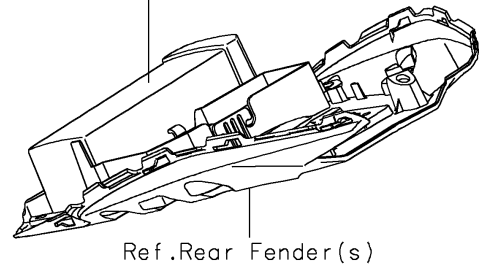
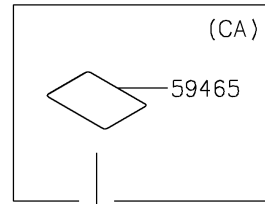
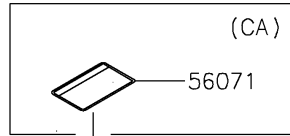
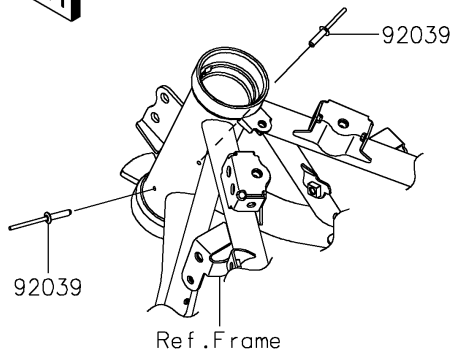


2020 Ninja® 650 PARTS DIAGRAM

Labels

F2860



2020 Ninja® 650 PARTS LIST

Labels

| ITEM NAME | PART NUMBER | QUANTITY |
|---|-------------|----------|
| LABEL-MANUAL,CHAIN (Ref # 56033) | 56033-0850 | 1 |
| LABEL-SPECIFICATION,TIRE&LOAD (Ref # 56053) | 56053-1724 | 1 |
| LABEL-WARNING,EVAPO (Ref # 56071) | 56071-0158 | 1 |
| LABEL-CERTIFICATION (Ref # 59465) | 59465-1871 | 1 |
| RIVET (Ref # 92039) | 92039-1251 | 2 |