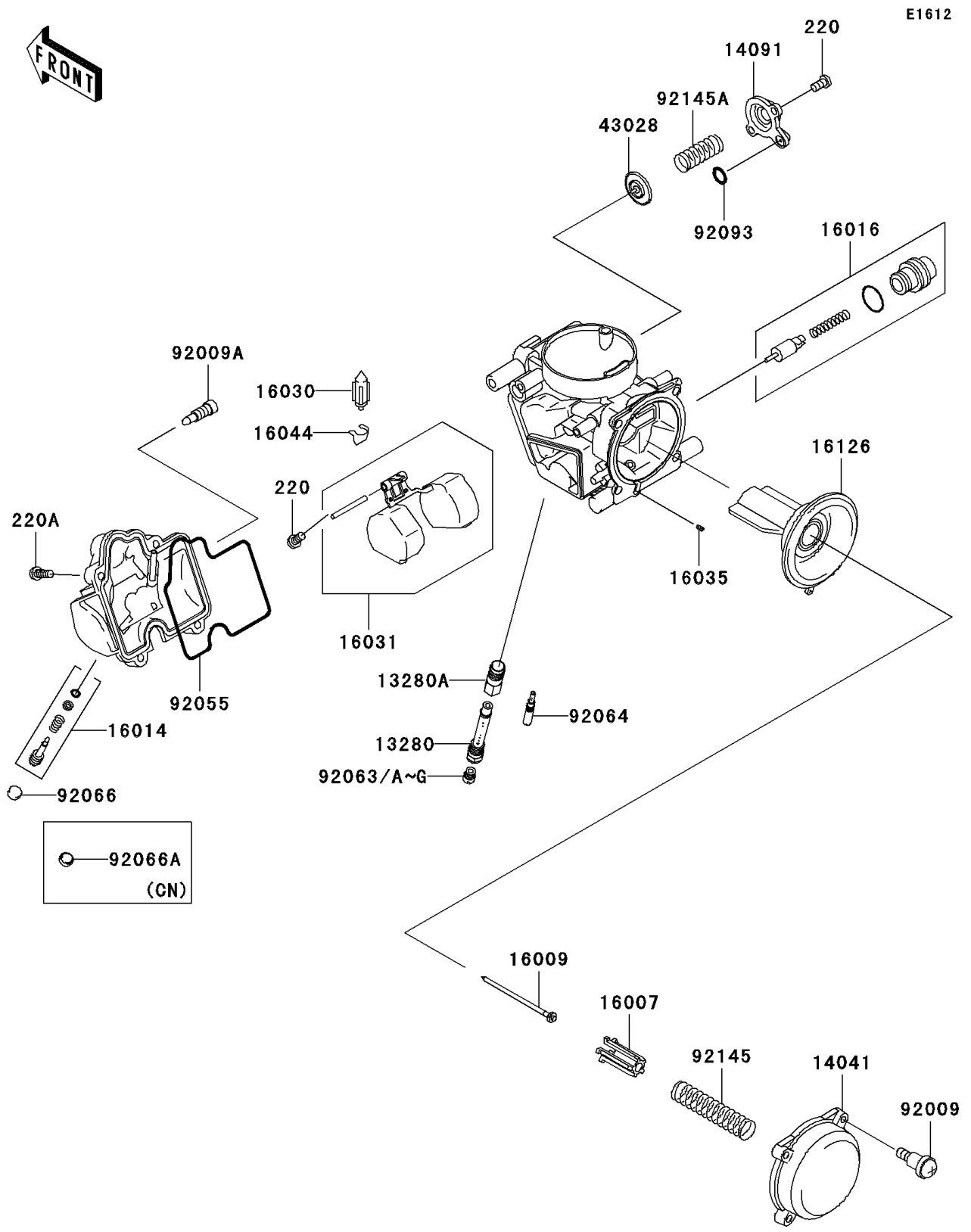


2007 Brute Force 650 4x4i PARTS DIAGRAM

Carburetor Parts



2007 Brute Force 650 4x4i PARTS LIST

Carburetor Parts

ITEM NAME	PART NUMBER	QUANTITY
HOLDER (Ref # 13280)	13280-0185	2
HOLDER,JET (Ref # 13280A)	13280-1096	2
CAP-CHAMBER,MIXING (Ref # 14041)	14041-1091	2
COVER,AIR CUT VALVE (Ref # 14091)	14091-1246	2
SEAT-SPRING,VALVE (Ref # 16007)	16007-1117	2
NEEDLE-JET,N60N (Ref # 16009)	16009-1544	2
SCREW-PILOT AIR (Ref # 16014)	16014-1101	2
PLUNGER (Ref # 16016)	16016-1117	2
VALVE-FLOAT (Ref # 16030)	16030-1007	2
FLOAT (Ref # 16031)	16031-1097	2
JET-AIR,LEAK (Ref # 16035)	16035-1055	2
CLAMP,FLOAT VALVE (Ref # 16044)	16044-007	2
VALVE (Ref # 16126)	16126-0015	2
DIAPHRAGM,AIR CUT VALVE (Ref # 43028)	43028-1085	2
SCREW,4X4.4 (Ref # 92009)	92009-1549	8
SCREW,DRAIN,6X0.75 (Ref # 92009A)	92009-1551	2
RING-O,FLOAT CHAMBER (Ref # 92055)	92055-1589	2
JET-MAIN,#138 (Ref # 92063)	92063-1015	AR
JET-MAIN,#142 (Ref # 92063A)	92063-1016	AR
JET-MAIN,#148 (Ref # 92063B)	92063-1324	AR
JET-MAIN,#150 (Ref # 92063C)	92063-1330	AR
JET-MAIN,#152 (Ref # 92063D)	92063-1331	AR
JET-MAIN,#155 (Ref # 92063E)	92063-1332	2
JET-MAIN,#158 (Ref # 92063F)	92063-1344	AR
JET-MAIN,#160 (Ref # 92063G)	92063-1345	AR
JET-PILOT,#38 (Ref # 92064)	92064-0011	2
PLUG,PILOT AIR SCREW,6.9X2 (Ref # 92066)	92066-1051	2
PLUG,PILOT AIR SCREW (Ref # 92066A)	92066-3769	2
SEAL, (Ref # 92093)	92093-1046	2

2007 Brute Force 650 4x4i PARTS LIST

Carburetor Parts

ITEM NAME	PART NUMBER	QUANTITY
SPRING (Ref # 92145)	92145-0267	2
SPRING,AIR CUT VALVE (Ref # 92145A)	92145-1450	2
SCREW-PAN-CROS,4X8 (Ref # 220)	220D0408	6
SCREW-PAN-CROS,4X14 (Ref # 220A)	220D0414	8