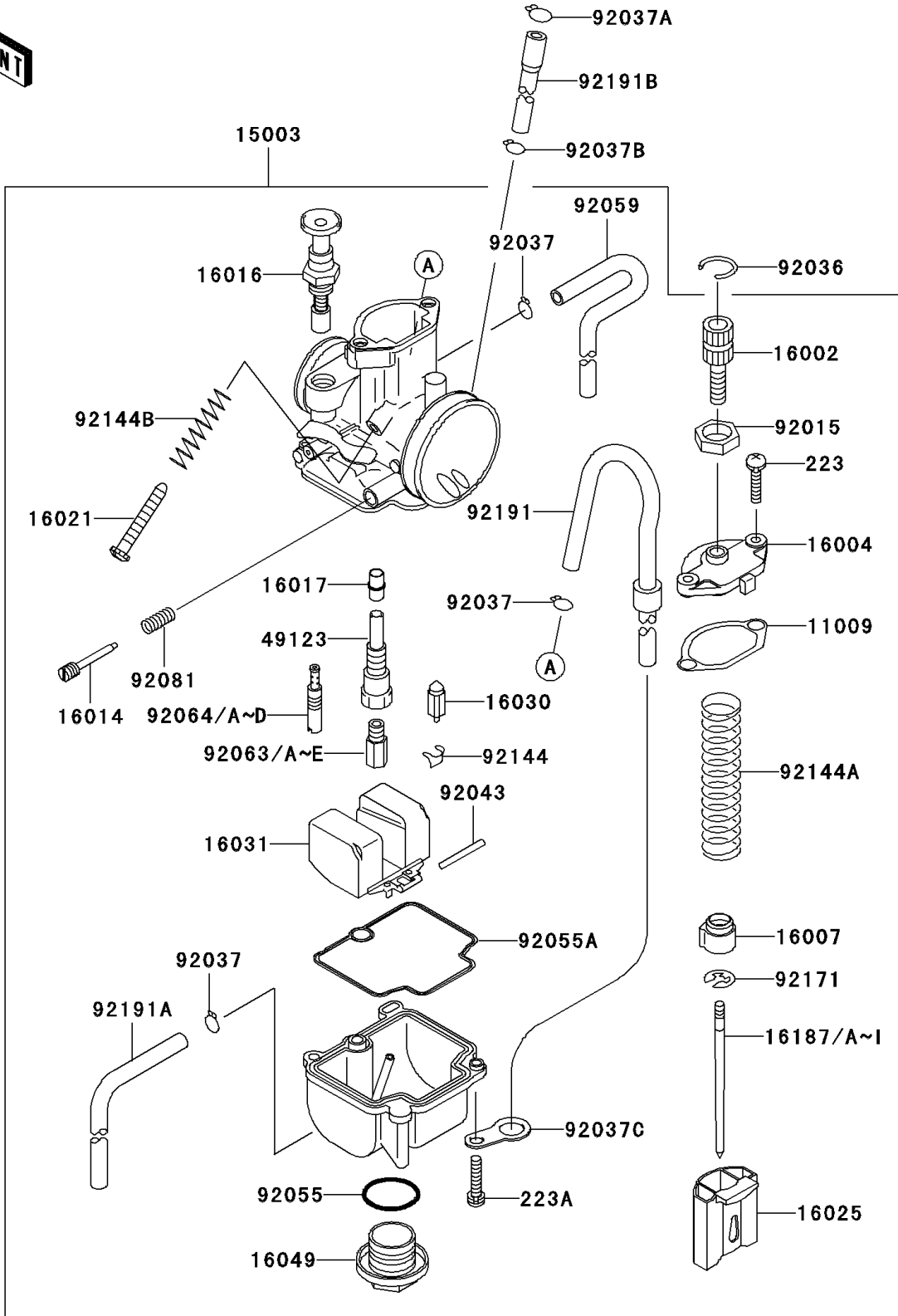


2005 KX100 PARTS DIAGRAM

Carburetor

E1611



2005 KX100 PARTS LIST

Carburetor

ITEM NAME	PART NUMBER	QUANTITY
GASKET,MIXING CHAMBER (Ref # 11009)	11009-1759	1
CARBURETOR-ASSY (Ref # 15003)	15003-1643	1
ADJUSTER-CABLE (Ref # 16002)	16002-1056	1
CAP-CHAMBER,MIXING (Ref # 16004)	16004-1065	1
SEAT-SPRING,THROTTLE VALVE (Ref # 16007)	16007-1155	1
SCREW-PILOT AIR (Ref # 16014)	16014-1058	1
PLUNGER,STARTER (Ref # 16016)	16016-1075	1
JET-NEEDLE (Ref # 16017)	16017-1431	1
SCREW-THROTTLE STOP (Ref # 16021)	16021-1161	1
VALVE-THROTTLE,CA3.5 (Ref # 16025)	16025-1220	1
VALVE-FLOAT (Ref # 16030)	16030-1064	1
FLOAT (Ref # 16031)	16031-1065	1
COVER-MAIN JET (Ref # 16049)	16049-1051	1
NEEDLE-JET,NAPD (Ref # 16187)	16187-1177	1
NEEDLE-JET,NAPE (Ref # 16187A)	16187-1178	1
NEEDLE-JET,NAPF (Ref # 16187B)	16187-1179	1
NEEDLE-JET,NAPG (Ref # 16187C)	16187-1180	1
NEEDLE-JET,NAPH (Ref # 16187D)	16187-1181	1
NEEDLE-JET,NAQD (Ref # 16187E)	16187-1183	1
NEEDLE-JET,NAQE (Ref # 16187F)	16187-1184	1
NEEDLE-JET,NAQF (Ref # 16187G)	16187-1185	1
NEEDLE-JET,NAQG (Ref # 16187H)	16187-1186	1
NEEDLE-JET,NAQH (Ref # 16187I)	16187-1187	1
HOLDER-MAIN JET (Ref # 49123)	49123-1054	1
NUT,CABLE ADJUST LOCK (Ref # 92015)	92015-1574	1
RING-SNAP (Ref # 92036)	92036-018	1
CLAMP,TUBE (Ref # 92037)	92037-1396	3
CLAMP,TUBE (Ref # 92037A)	92037-147	1
CLAMP (Ref # 92037B)	92037-1712	1

2005 KX100 PARTS LIST

Carburetor

ITEM NAME	PART NUMBER	QUANTITY
CLAMP,HOSE (Ref # 92037C)	92037-1969	1
PIN,FLOAT (Ref # 92043)	92043-1207	1
RING-O,MAIN JET COVER (Ref # 92055)	92055-1167	1
SCREW-PAN-WS-CROS (Ref # 223)	223C0414	2
SCREW-PAN-WS-CROS (Ref # 223A)	223C0416	2
RING-O,FLOAT CHAMBER (Ref # 92055A)	92055-1389	1
TUBE,4X7X360 (Ref # 92059)	92059-1941	1
JET-MAIN,#132 (Ref # 92063)	92063-1337	1
JET-MAIN,#135 (Ref # 92063A)	92063-1338	1
JET-MAIN,#138 (Ref # 92063B)	92063-1359	1
JET-MAIN,#140 (Ref # 92063C)	92063-1360	1
JET-MAIN,#142 (Ref # 92063D)	92063-1361	1
JET-MAIN,#148 (Ref # 92063E)	92063-1363	1
JET-PILOT,#40 (Ref # 92064)	92064-1140	1
JET-PILOT,#42 (Ref # 92064A)	92064-1141	1
JET-PILOT,#45 (Ref # 92064B)	92064-1142	1
JET-PILOT,#48 (Ref # 92064C)	92064-1143	1
JET-PILOT,#50 (Ref # 92064D)	92064-1144	1
SPRING,ADJUST SCREW (Ref # 92081)	92081-1555	1
SPRING,FLOAT VALVE (Ref # 92144)	92144-1178	1
SPRING,THROTTLE VALVE (Ref # 92144A)	92144-1566	1
SPRING,THROTTLE STOP SCREW (Ref # 92144B)	92144-1782	1
CLAMP (Ref # 92171)	92171-1323	1
TUBE,4X7X560 (Ref # 92191)	92191-1243	1
TUBE,4X7X420 (Ref # 92191A)	92191-1591	1
TUBE (Ref # 92191B)	92191-1610	1