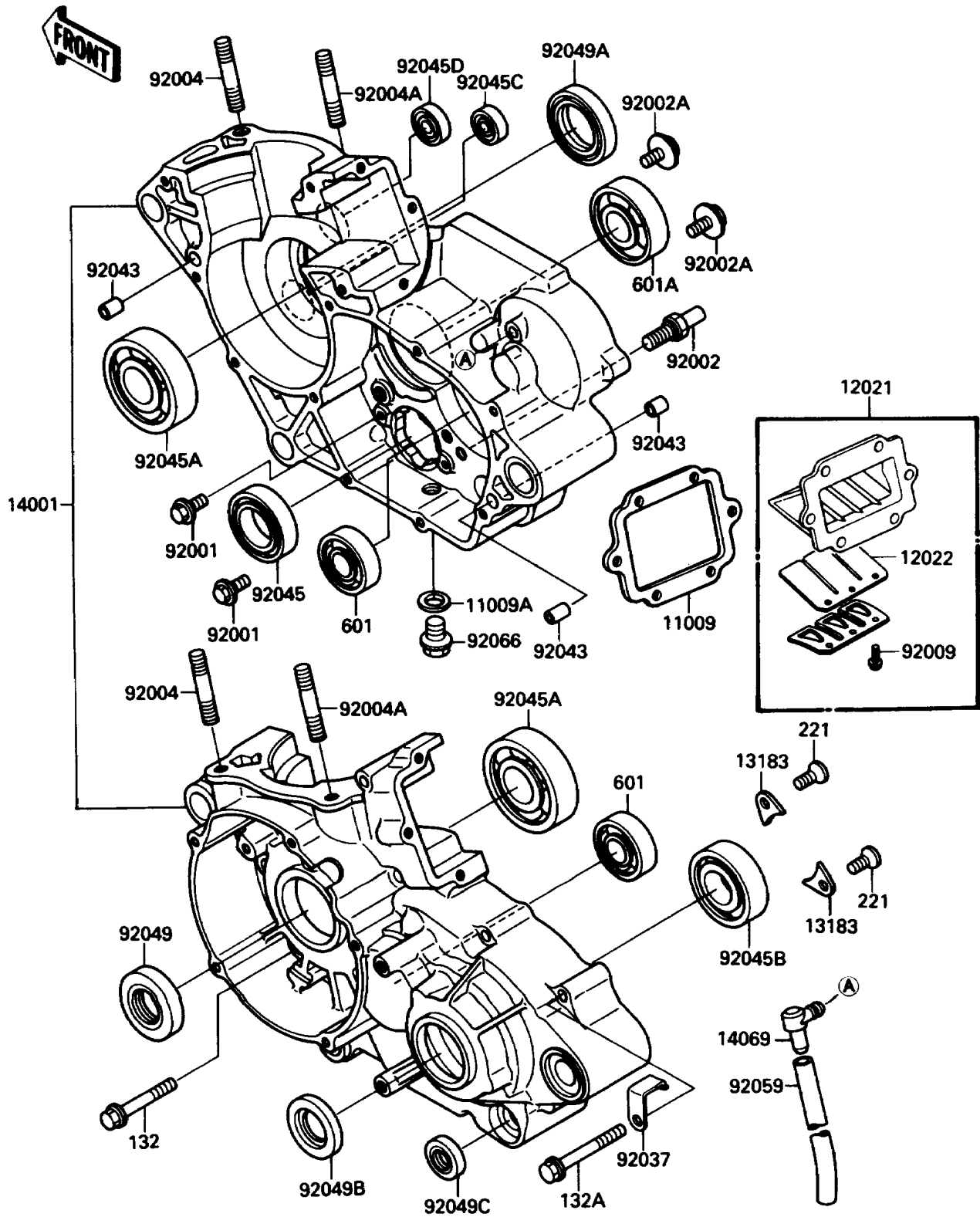


# 1988 KX125 PARTS DIAGRAM

Crankcase

E1411-0176



# 1988 KX125 PARTS LIST

## Crankcase

ITEM NAME	PART NUMBER	QUANTITY
GASKET, REED VALVE (Ref # 11009)	11009-1263	1
GASKET, 10.5X16X1, DRAIN PLUG (Ref # 11009A)	92065-058	1
VALVE-ASSY-REED (Ref # 12021)	12021-1069	1
VALVE-REED, CARBON (Ref # 12022)	12022-1057	2
PLATE (Ref # 13183)	13183-1182	2
SET-CRANKCASE (Ref # 14001)	14001-5244	1
BREATHER (Ref # 14069)	14069-003	1
BOLT, W/WASHER, 6X14 (Ref # 92001)	92001-1829	2
BOLT, 8X15 (Ref # 92002)	92002-1601	1
BOLT, 6X16 (Ref # 92002A)	92002-1659	2
STUD, 8X25 (Ref # 92004)	92004-1008	2
STUD, 8X28.5 (Ref # 92004A)	92004-1142	2
SCREW, REED VALVE (Ref # 92009)	92009-1014	6
CLAMP, HARNESS (Ref # 92037)	92037-1318	1
PIN, DOWEL, 6.3X8X14 (Ref # 92043)	92042-007	4
BEARING-BALL, #6905 (Ref # 92045)	92045-036	1
BEARING-BALL (Ref # 92045A)	92045-1209	2
BEARING-BALL (Ref # 92045B)	92045-1210	1
BEARING-BALL (Ref # 92045C)	92045-1211	1
BEARING-BALL (Ref # 92045D)	92045-1212	1
SEAL-OIL (Ref # 92049)	92049-1300	1
SEAL-OIL (Ref # 92049A)	92049-1301	1
SEAL-OIL, SC25376 (Ref # 92049B)	92050-013	1
SEAL-OIL, TB13225.5 (Ref # 92049C)	92051-005	1
TUBE, 6X9X280 (Ref # 92059)	92059-1074	1
PLUG, DRAIN (Ref # 92066)	92066-1241	1
BOLT-FLANGED-SMALL (Ref # 132)	132G0640	11
BOLT-FLANGED-SMALL (Ref # 132A)	132G0650	1
SCREW-CSK-CROS, 6X12 (Ref # 221)	221B0612	2

# 1988 KX125 PARTS LIST

## Crankcase

ITEM NAME	PART NUMBER	QUANTITY
BEARING-BALL,#6202C3 (Ref # 601)	601B6202	2
BEARING-BALL,#6303C3 (Ref # 601A)	601B6303	1