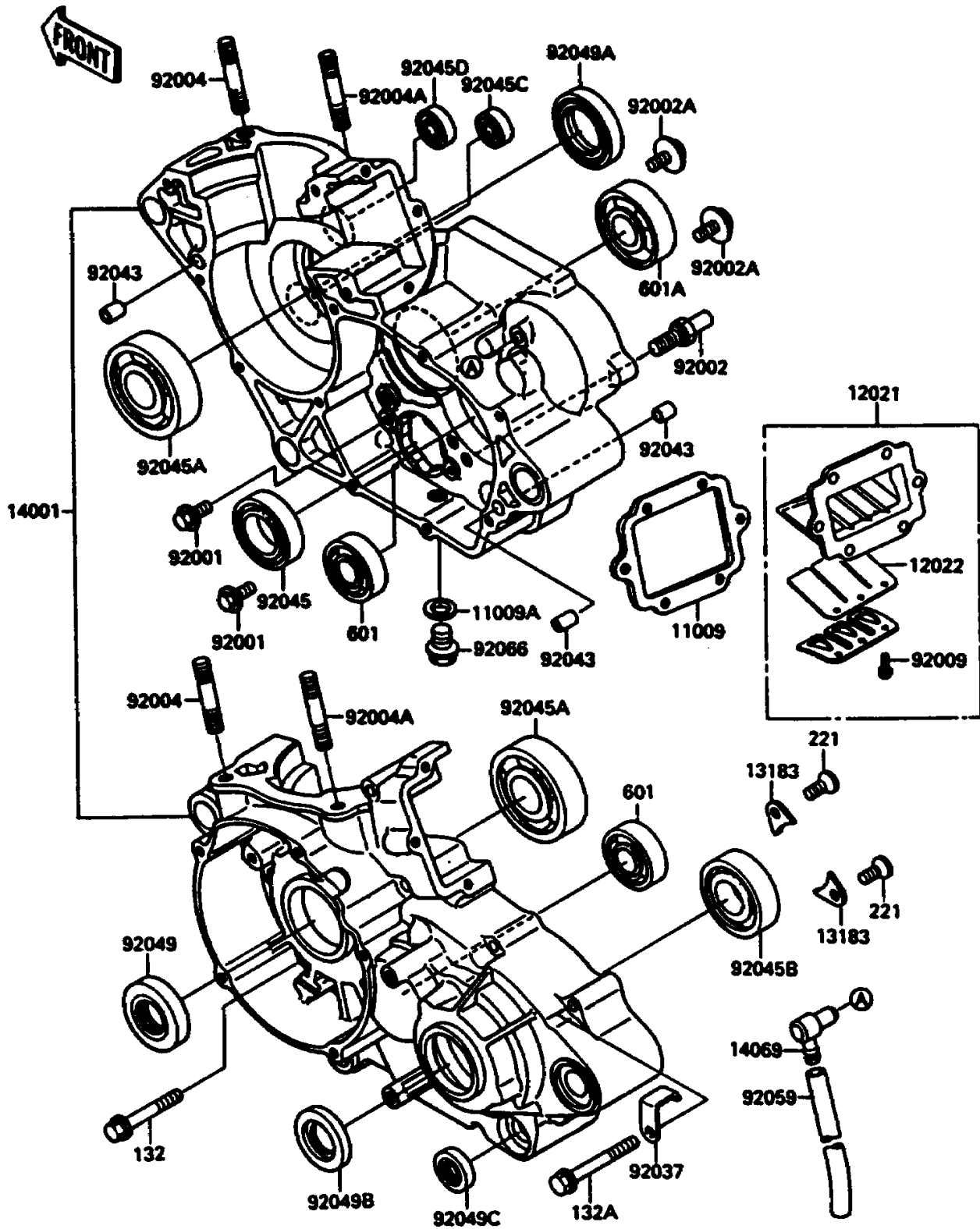


# 1989 KX125 PARTS DIAGRAM

Crankcase

(E1411)



# 1989 KX125 PARTS LIST

## Crankcase

| ITEM NAME                                    | PART NUMBER | QUANTITY |
|--|-------------|----------|
| GASKET, REED VALVE (Ref # 11009)             | 11009-1263  | 1        |
| GASKET, 10.5X16X1, DRAIN PLUG (Ref # 11009A) | 92065-058   | 1        |
| VALVE-ASSY-REED (Ref # 12021)                | 12021-1081  | 1        |
| VALVE-REED (Ref # 12022)                     | 12022-1065  | 2        |
| PLATE (Ref # 13183)                          | 13183-1182  | 2        |
| SET-CRANKCASE (Ref # 14001)                  | 14001-5257  | 1        |
| BREATHER (Ref # 14069)                       | 14069-003   | 1        |
| BOLT, W/WASHER, 6X14 (Ref # 92001)           | 92001-1829  | 2        |
| BOLT, 8X15 (Ref # 92002)                     | 92002-1601  | 1        |
| BOLT, 6X16 (Ref # 92002A)                    | 92002-1659  | 2        |
| STUD, 8X25 (Ref # 92004)                     | 92004-1008  | 2        |
| STUD, 8X28.5 (Ref # 92004A)                  | 92004-1142  | 2        |
| SCREW, REED VALVE (Ref # 92009)              | 92009-1014  | 6        |
| CLAMP, HARNESS (Ref # 92037)                 | 92037-1318  | 1        |
| PIN, DOWEL, 6.3X8X14 (Ref # 92043)           | 92042-007   | 4        |
| BEARING-BALL, #6905 (Ref # 92045)            | 92045-036   | 1        |
| BEARING-BALL (Ref # 92045A)                  | 92045-1209  | 2        |
| BEARING-BALL (Ref # 92045B)                  | 92045-1210  | 1        |
| BEARING-BALL (Ref # 92045C)                  | 92045-1211  | 1        |
| BEARING-BALL (Ref # 92045D)                  | 92045-1212  | 1        |
| SEAL-OIL (Ref # 92049)                       | 92049-1300  | 1        |
| SEAL-OIL (Ref # 92049A)                      | 92049-1301  | 1        |
| SEAL-OIL, SC25376 (Ref # 92049B)             | 92050-013   | 1        |
| SEAL-OIL, TB13225.5 (Ref # 92049C)           | 92051-005   | 1        |
| TUBE, 6X9X280 (Ref # 92059)                  | 92059-1074  | 1        |
| PLUG, DRAIN (Ref # 92066)                    | 92066-1241  | 1        |
| BOLT-FLANGED-SMALL (Ref # 132)               | 132G0640    | 11       |
| BOLT-FLANGED-SMALL (Ref # 132A)              | 132G0650    | 1        |
| SCREW-CSK-CROS, 6X12 (Ref # 221)             | 221B0612    | 2        |

# 1989 KX125 PARTS LIST

## Crankcase

| ITEM NAME                         | PART NUMBER | QUANTITY |
|-----------------------------------|-------------|----------|
| BEARING-BALL,#6202C3 (Ref # 601)  | 601B6202    | 2        |
| BEARING-BALL,#6303C3 (Ref # 601A) | 601B6303    | 1        |