

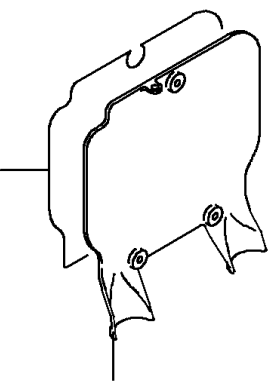
# 1991 KX125 PARTS DIAGRAM

Label

F2860

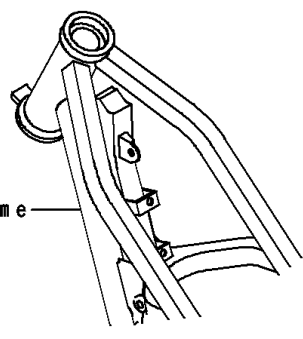


56048/56049F



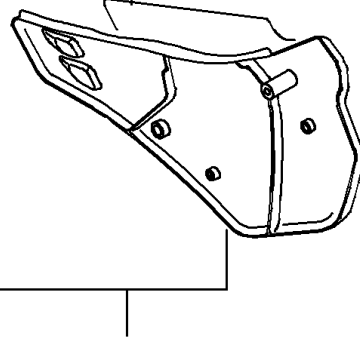
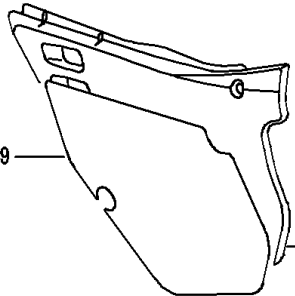
Ref. Accessory

56040/C



Ref. Frame

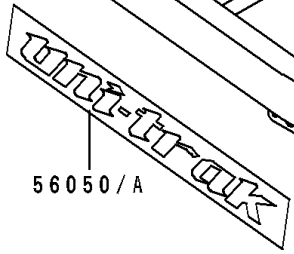
56049



Ref. Side Cover

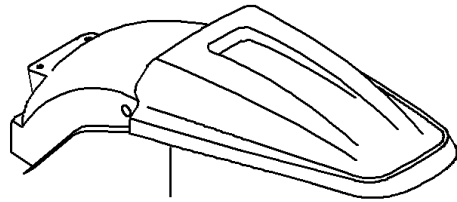
56049A

56040A/B



56050/A

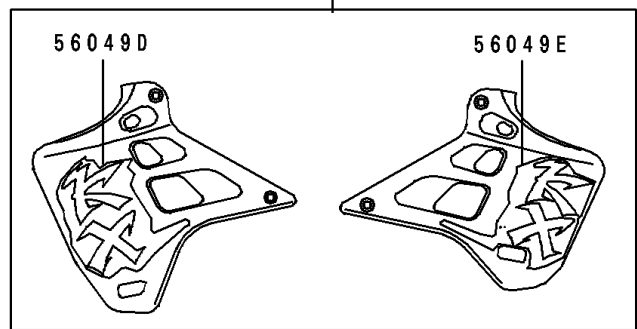
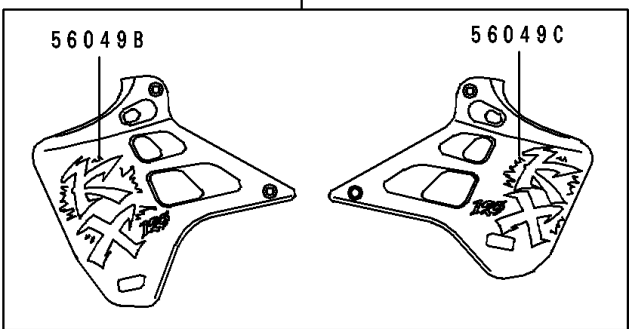
Ref. Swing Arm



Ref. Fender

( '90 )

( '91 )



# 1991 KX125 PARTS LIST

Label

ITEM NAME	PART NUMBER	QUANTITY
LABEL-WARNING,NOISE (Ref # 56040)	56040-1101	1
LABEL-WARNING,GASOLINE/OIL (Ref # 56040A)	56040-1129	1
LABEL-WARNING,GASOLINE/OIL (Ref # 56040B)	56040-1306	1
LABEL-WARNING,WARRANTY (Ref # 56040C)	56040-1307	1
PATTERN,SIDE COVER,LH (Ref # 56049)	56049-1314	1
PATTERN,SIDE COVER,RH (Ref # 56049A)	56049-1315	1
PATTERN,SHROUD,LH (Ref # 56049D)	56049-1761	1
PATTERN,SHROUD,RH (Ref # 56049E)	56049-1763	1
PATTERN,NUMBER PLATE (Ref # 56049F)	56049-1806	1
MARK,SWING ARM,UNI-TRAK (Ref # 56050A)	56050-1668	2