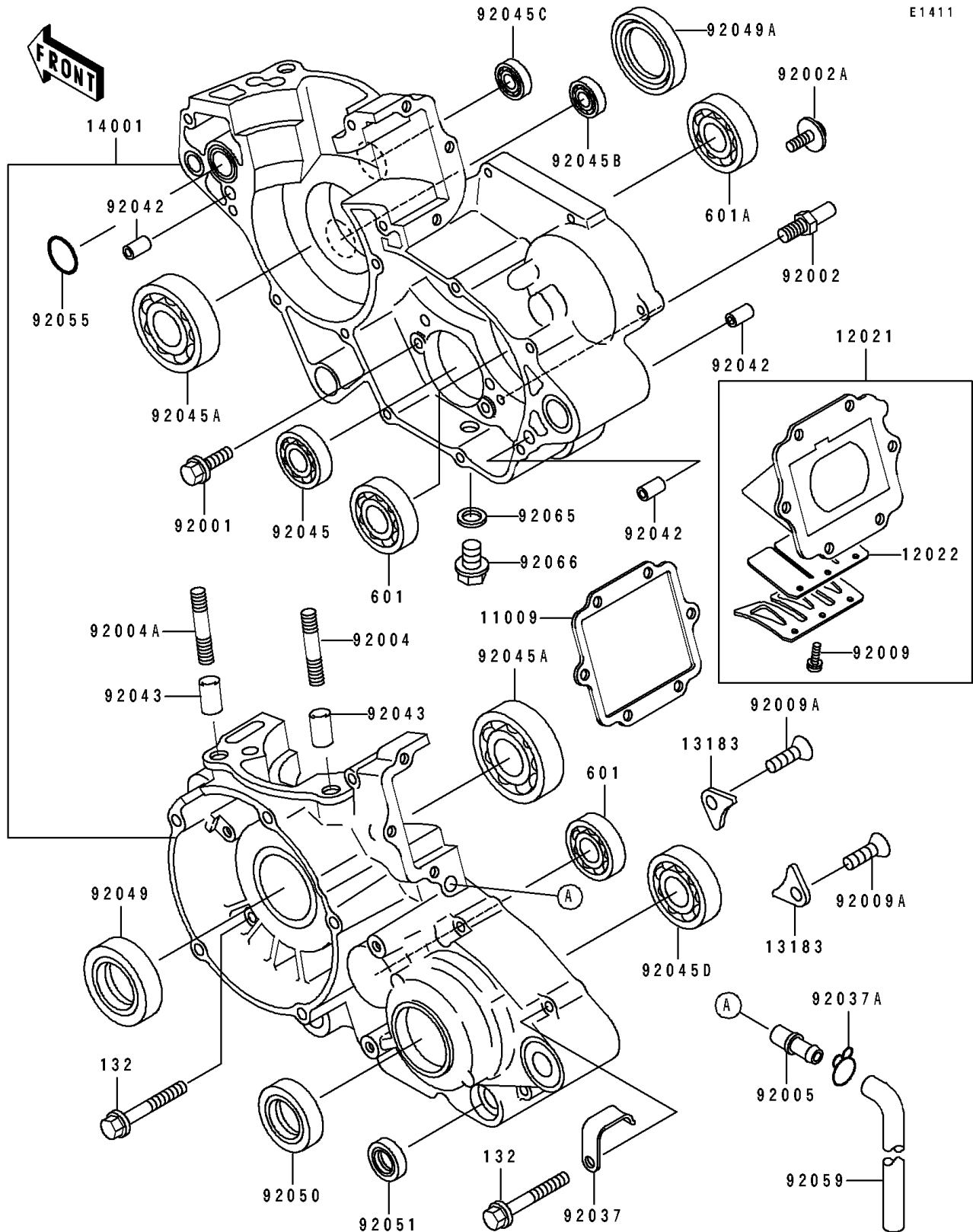


# 1992 KX125 PARTS DIAGRAM

Crankcase

E1411



# 1992 KX125 PARTS LIST

## Crankcase

ITEM NAME	PART NUMBER	QUANTITY
GASKET, REED VALVE (Ref # 11009)	11009-1941	1
VALVE-ASSY-REED (Ref # 12021)	12021-1085	1
VALVE-REED (Ref # 12022)	12022-1065	2
PLATE (Ref # 13183)	13183-1182	2
SET-CRANKCASE (Ref # 14001)	14001-5301	1
BOLT, W/WASHER, 6X14 (Ref # 92001)	92001-1829	2
BOLT, 8X15 (Ref # 92002)	92002-1601	1
BOLT, 6X16 (Ref # 92002A)	92002-1659	2
STUD, 8X40 (Ref # 92004)	92004-1210	2
STUD, 8X45 (Ref # 92004A)	92004-1211	2
FITTING, BREATHER (Ref # 92005)	92005-1127	1
SCREW, REED VALVE (Ref # 92009)	92009-1014	6
SCREW, 6X10 (Ref # 92009A)	92009-1563	2
CLAMP, HARNESS (Ref # 92037)	92037-1318	1
CLAMP (Ref # 92037A)	92037-1610	1
PIN, DOWEL, 6.3X8X14 (Ref # 92042)	92042-007	4
PIN, 8.2X10X14 (Ref # 92043)	92043-1264	2
BEARING-BALL, #6905 (Ref # 92045)	92045-036	1
BEARING-BALL (Ref # 92045A)	92045-1209	2
BEARING-BALL (Ref # 92045B)	92045-1211	1
BEARING-BALL (Ref # 92045C)	92045-1212	1
BEARING-BALL, SX04A29C3 (Ref # 92045D)	92045-1252	1
SEAL-OIL (Ref # 92049)	92049-1300	1
SEAL-OIL (Ref # 92049A)	92049-1301	1
SEAL-OIL, SC25376 (Ref # 92050)	92050-013	1
SEAL-OIL, TB13225.5 (Ref # 92051)	92051-005	1
RING-O (Ref # 92055)	92055-086	1
TUBE, 6X9X420 (Ref # 92059)	92059-1946	1
GASKET, 10.5X16X1, DRAIN PLUG (Ref # 92065)	92065-058	1

# 1992 KX125 PARTS LIST

## Crankcase

ITEM NAME	PART NUMBER	QUANTITY
PLUG,DRAIN (Ref # 92066)	92066-1241	1
BOLT-FLANGED-SMALL (Ref # 132)	132G0640	12
BEARING-BALL,#6202C3 (Ref # 601)	601B6202	2
BEARING-BALL,#6303C3 (Ref # 601A)	601B6303	1