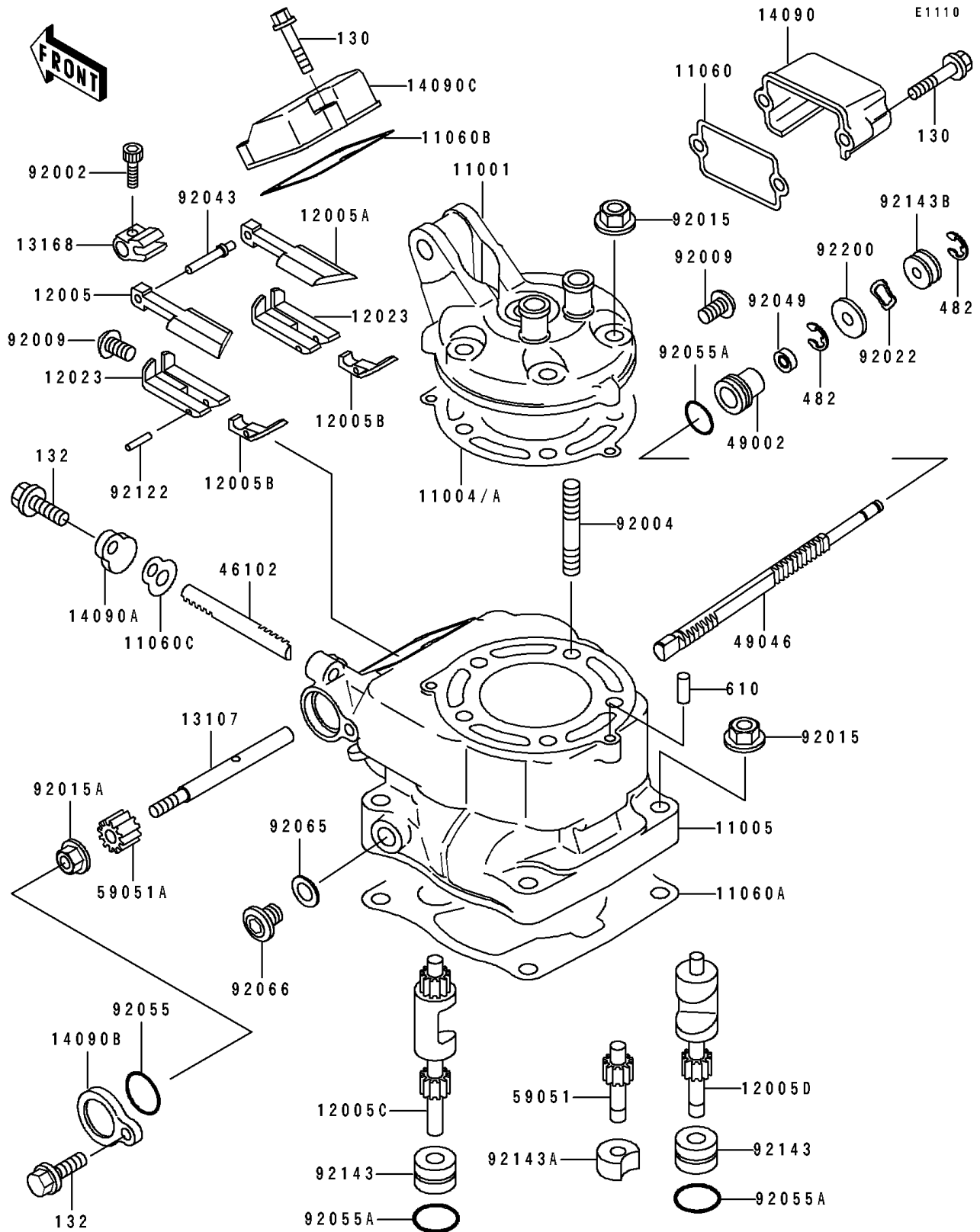


1993 KX125 PARTS DIAGRAM

Cylinder Head/Cylinder



1993 KX125 PARTS LIST

Cylinder Head/Cylinder

ITEM NAME	PART NUMBER	QUANTITY
HEAD-CYLINDER (Ref # 11001)	11001-1385	1
GASKET-HEAD,T=0.26 (Ref # 11004)	11004-1251	1
GASKET-HEAD,T=0.46 (Ref # 11004A)	11004-1252	1
CYLINDER-ENGINE (Ref # 11005)	11005-1687	1
GASKET,RH,GOVERNOR (Ref # 11060)	11060-1187	1
GASKET,CYLINDER BASE (Ref # 11060A)	11060-1188	1
GASKET,MAIN COVER (Ref # 11060B)	11060-1194	1
GASKET,GOVERNOR ROD (Ref # 11060C)	11060-1346	1
VALVE-EXHAUST,MAIN (Ref # 12005)	12005-1172	1
VALVE-EXHAUST,MAIN (Ref # 12005A)	12005-1173	1
VALVE-EXHAUST,MAIN (Ref # 12005B)	12005-1174	2
VALVE-EXHAUST,LH (Ref # 12005C)	12005-1194	1
VALVE-EXHAUST,RH (Ref # 12005D)	12005-1195	1
HOLDER-VALVE (Ref # 12023)	12023-1065	2
SHAFT,MAIN (Ref # 13107)	13107-1284	1
LEVER,MAIN (Ref # 13168)	13168-1491	1
COVER,GOVERNOR (Ref # 14090)	14090-1130	1
COVER,GOVERNOR ROD (Ref # 14090A)	14090-1132	1
COVER,MAIN VALVE (Ref # 14090B)	14090-1133	1
COVER,MAIN VALVE (Ref # 14090C)	14090-1134	1
ROD,MAIN VALVE (Ref # 46102)	46102-1319	1
GUIDE-VALVE (Ref # 49002)	49002-1100	1
ROD-GOVERNOR (Ref # 49046)	49046-1071	1
GEAR-SPUR,IDLE (Ref # 59051)	59051-1249	1
GEAR-SPUR,MAIN VALVE (Ref # 59051A)	59051-1252	1
BOLT,SOCKET,4X8 (Ref # 92002)	92002-1403	1
STUD,8X28.5 (Ref # 92004)	92004-1060	5
SCREW,5X10 (Ref # 92009)	92009-1502	3
NUT,8MM (Ref # 92015)	92015-1143	9

1993 KX125 PARTS LIST

Cylinder Head/Cylinder

ITEM NAME	PART NUMBER	QUANTITY
NUT,6MM (Ref # 92015A)	92015-1572	1
WASHER,WAVE (Ref # 92022)	92022-1978	1
PIN (Ref # 92043)	92043-1459	1
SEAL-OIL,RSO-5.5X11X4 (Ref # 92049)	92049-1206	1
RING-O,16.8X2.4 (Ref # 92055)	92055-1258	1
RING-O,14.5X1.5 (Ref # 92055A)	92055-1399	3
GASKET,12.5X18X1,DRAIN PLUG (Ref # 92065)	92065-073	1
PLUG,12X10 (Ref # 92066)	92066-1222	1
ROLLER,3X15.8 (Ref # 92122)	92122-1126	2
COLLAR,VALVE (Ref # 92143)	92143-1517	2
COLLAR,IDLE GEAR (Ref # 92143A)	92143-1518	1
COLLAR,ROD (Ref # 92143B)	92143-1637	1
WASHER,5.6X18X1.2 (Ref # 92200)	92200-1129	1
BOLT-FLANGED (Ref # 130)	130G0525	5
BOLT-FLANGED-SMALL (Ref # 132)	132G0616	2
CIRCLIP-TYPE-E,4MM (Ref # 482)	482J4000	2
ROLLER,4X8 (Ref # 610)	610A0408	2