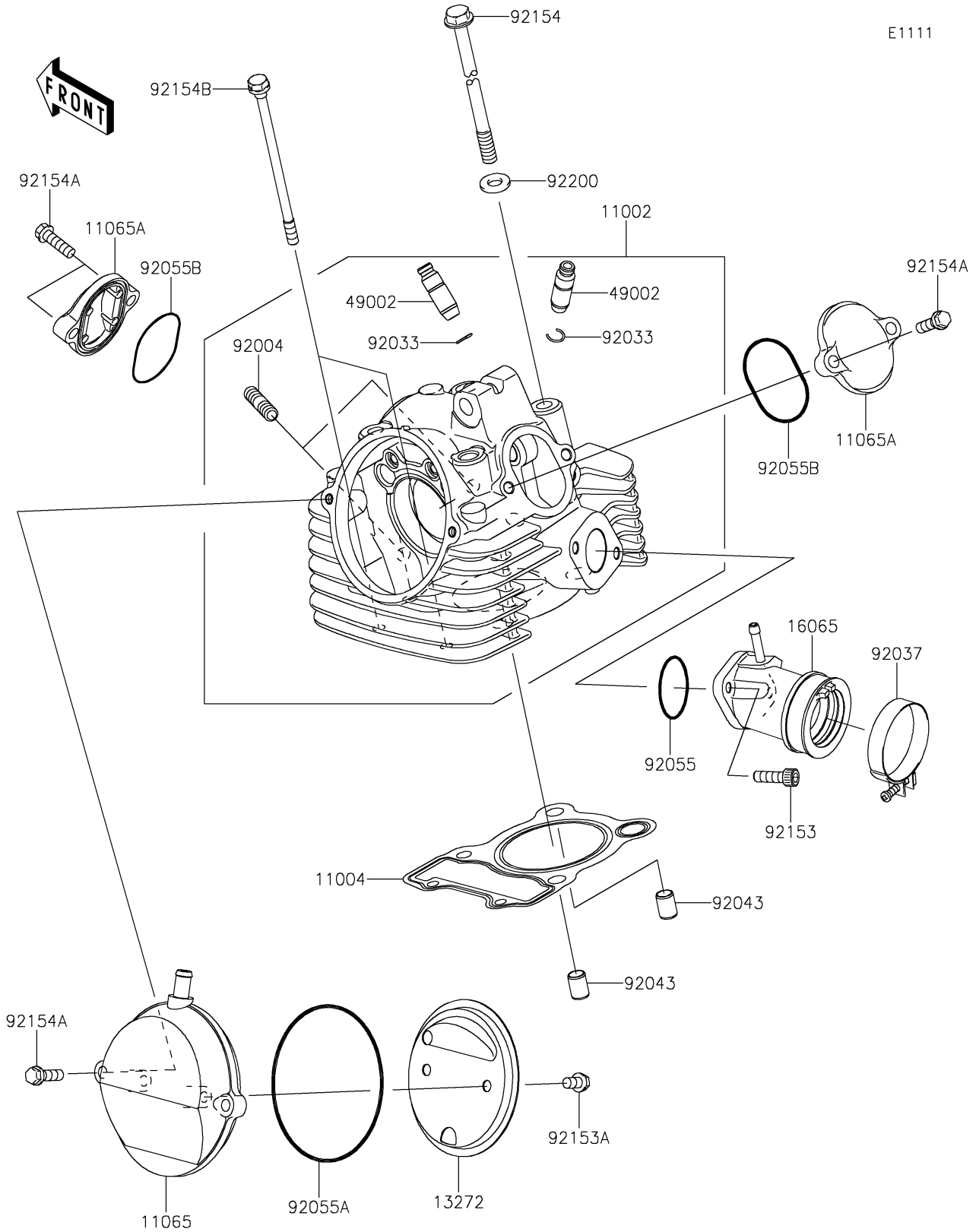


2020 KLX®150L PARTS DIAGRAM

Cylinder Head

E1111



2020 KLX®150L PARTS LIST

Cylinder Head

| ITEM NAME | PART NUMBER | QUANTITY |
|------------------------------------|-------------|----------|
| HEAD-ASSY-CYLINDER (Ref # 11002) | 11002-0144 | 1 |
| GASKET-HEAD (Ref # 11004) | 11004-0751 | 1 |
| CAP (Ref # 11065) | 11065-0799 | 1 |
| CAP,VALVE,ADJUSTING (Ref # 11065A) | 11065-0800 | 2 |
| PLATE,BREATHER (Ref # 13272) | 13272-2504 | 1 |
| HOLDER-CARBURETOR (Ref # 16065) | 16065-0061 | 1 |
| GUIDE-VALVE (Ref # 49002) | 49002-0019 | 2 |
| STUD,8X22 (Ref # 92004) | 92004-0722 | 2 |
| RING-SNAP (Ref # 92033) | 92033-0789 | 2 |
| CLAMP (Ref # 92037) | 92037-1305 | 1 |
| PIN,8.2X10X14 (Ref # 92043) | 92043-0100 | 2 |
| RING-O,32X1.9 (Ref # 92055) | 92055-0191 | 1 |
| RING-O,86X1.9 (Ref # 92055A) | 92055-0202 | 1 |
| RING-O (Ref # 92055B) | 92055-1697 | 2 |
| BOLT,6X20 (Ref # 92153) | 92153-0481 | 2 |
| BOLT,6X10 (Ref # 92153A) | 92153-1140 | 2 |
| BOLT,FLANGED,8X201 (Ref # 92154) | 92154-1155 | 4 |
| BOLT,FLANGED,6X20 (Ref # 92154A) | 92154-1219 | 6 |
| BOLT,FLANGED,6X110 (Ref # 92154B) | 92154-3751 | 2 |
| WASHER,8.2X17X2.3 (Ref # 92200) | 92200-1631 | 4 |