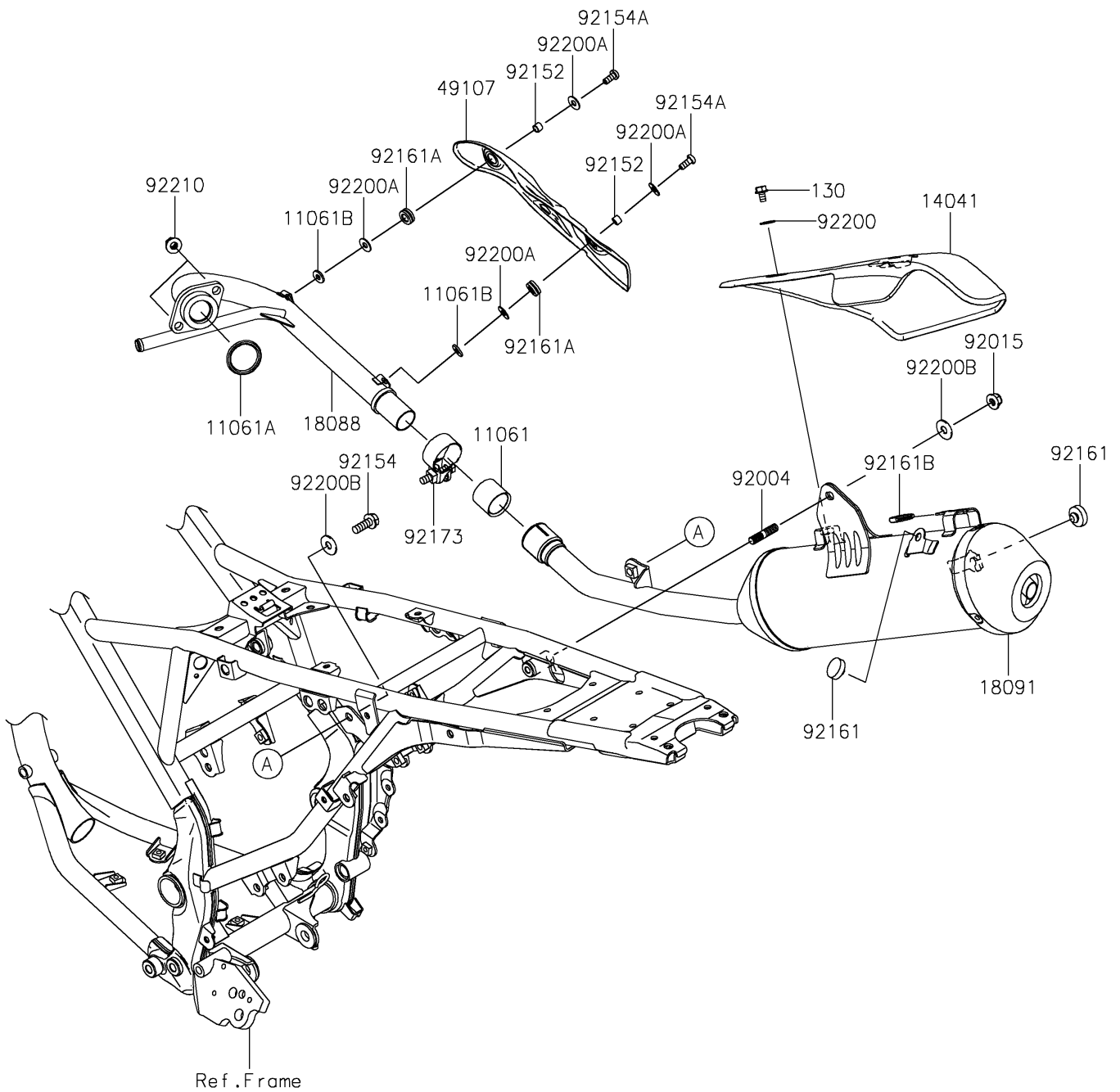


2020 KLX®150L PARTS DIAGRAM

Muffler(s)

E1140



2020 KLX®150L PARTS LIST

Muffler(s)

| ITEM NAME | PART NUMBER | QUANTITY |
|------------------------------------|-------------|----------|
| GASKET,MUFFLER JOINT (Ref # 11061) | 11061-0866 | 1 |
| GASKET,EXHAUST PIPE (Ref # 11061A) | 11061-0871 | 1 |
| GASKET,5.8X12X1.5 (Ref # 11061B) | 11061-1148 | 2 |
| BOLT-FLANGED,6X10 (Ref # 130) | 130BA0610 | 1 |
| COVER-COMP (Ref # 14041) | 14041-0585 | 1 |
| PIPE-EXHAUST (Ref # 18088) | 18088-1329 | 1 |
| BODY-COMP-MUFFLER (Ref # 18091) | 18091-0950 | 1 |
| COVER-EXHAUST PIPE (Ref # 49107) | 49107-0780 | 1 |
| STUD,8X22 (Ref # 92004) | 92004-0040 | 1 |
| NUT,8MM (Ref # 92015) | 92015-1432 | 1 |
| COLLAR,6.5X8.5X6 (Ref # 92152) | 92152-1962 | 2 |
| BOLT,8X16 (Ref # 92154) | 92154-1228 | 1 |
| BOLT,SOCKET,6X14 (Ref # 92154A) | 92154-2817 | 2 |
| DAMPER,MUFFLER (Ref # 92161) | 92161-1284 | 2 |
| DAMPER (Ref # 92161A) | 92161-2110 | 2 |
| DAMPER (Ref # 92161B) | 92161-2125 | 1 |
| CLAMP (Ref # 92173) | 92173-1223 | 1 |
| WASHER,6.5X16X1.0 (Ref # 92200) | 92200-0796 | 1 |
| WASHER,6.5X16X1 (Ref # 92200A) | 92200-1974 | 4 |
| WASHER,8.5X22X1.5 (Ref # 92200B) | 92200-1975 | 2 |
| NUT,8MM (Ref # 92210) | 92210-0773 | 2 |