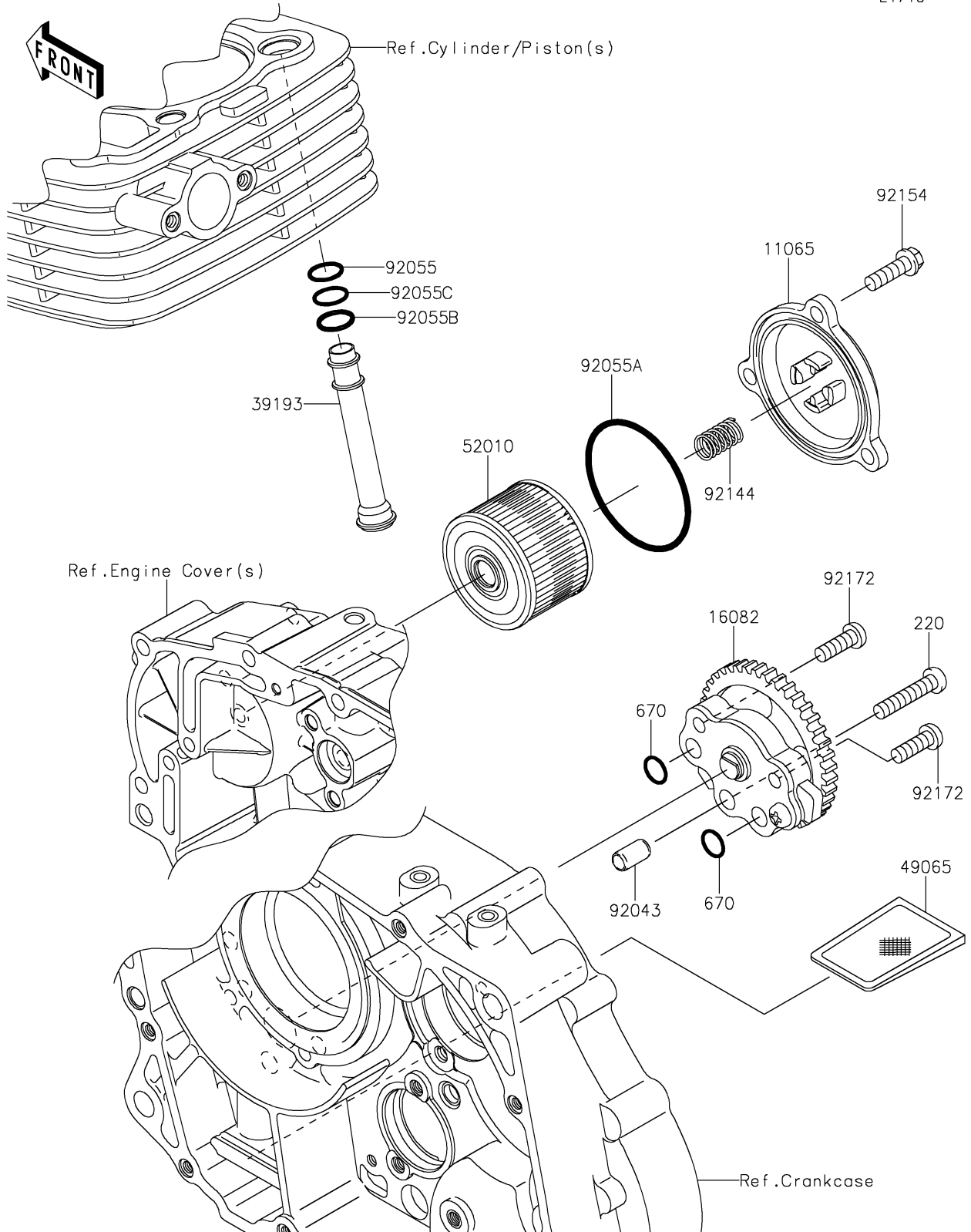


2020 KLX®150L PARTS DIAGRAM

Oil Pump

E1710



2020 KLX®150L PARTS LIST

Oil Pump

ITEM NAME	PART NUMBER	QUANTITY
CAP (Ref # 11065)	11065-0818	1
PUMP-ASSY-OIL (Ref # 16082)	16082-0040	1
SCREW-PAN-CROS,6X30 (Ref # 220)	220AA0630	1
PIPE-OIL (Ref # 39193)	39193-0578	1
FILTER-OIL (Ref # 49065)	49065-0028	1
ELEMENT-OIL FILTER (Ref # 52010)	52010-0552	1
O RING,9.8X1.9 (Ref # 670)	670B1510	2
PIN,6.2X8X14 (Ref # 92043)	92043-0099	1
RING-O,9.8X1.9 (Ref # 92055)	92055-0061	1
RING-O,59.6X2.4 (Ref # 92055A)	92055-0190	1
RING-O,12.8X1.9 (Ref # 92055B)	92055-0773	1
RING-O,9.8X2.4 (Ref # 92055C)	92055-1150	1
SPRING (Ref # 92144)	92144-1892	1
BOLT,FLANGED,6X20 (Ref # 92154)	92154-1219	3
SCREW,6X18 (Ref # 92172)	92172-0831	2