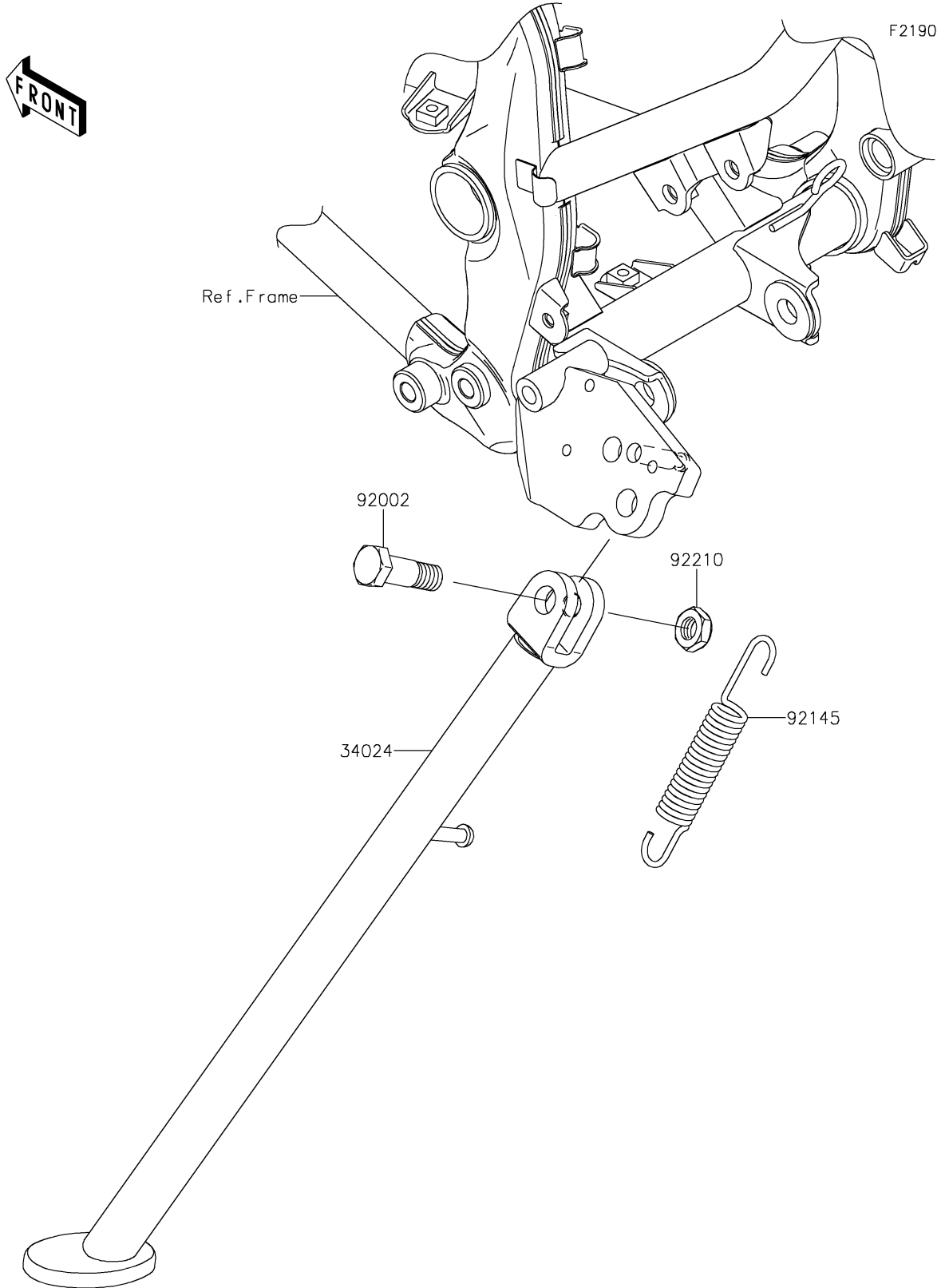


# 2020 KLX®150L PARTS DIAGRAM

Stand(s)



## 2020 KLX®150L PARTS LIST

Stand(s)

| ITEM NAME                         | PART NUMBER    | QUANTITY |
|-----------------------------------|----------------|----------|
| STAND-SIDE,P.SILVER (Ref # 34024) | 34024-0121-458 | 1        |
| BOLT,SIDE STAND (Ref # 92002)     | 92002-1813     | 1        |
| SPRING (Ref # 92145)              | 92145-1588     | 1        |
| NUT,LOCK,10MM (Ref # 92210)       | 92210-1672     | 1        |