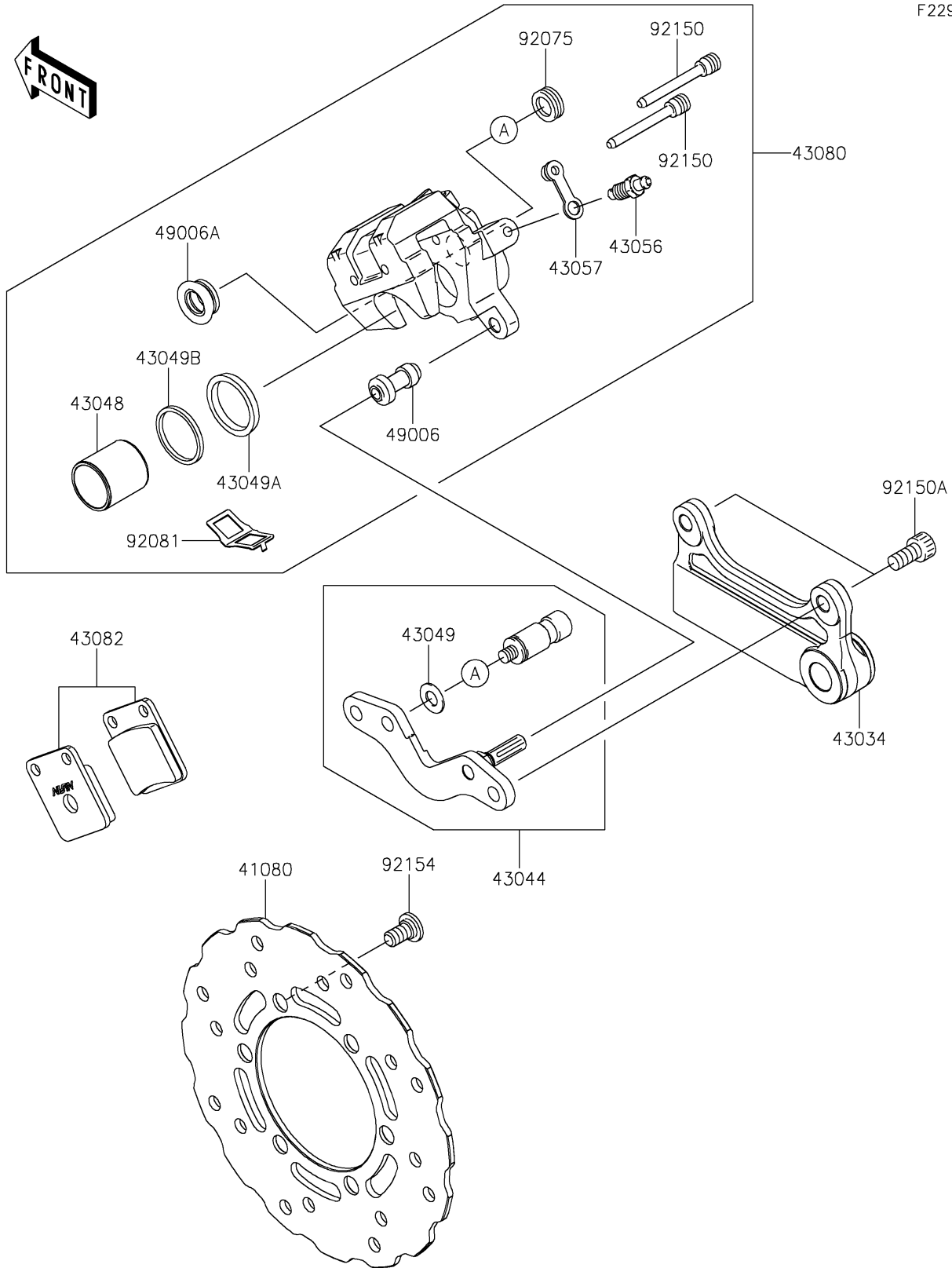


2020 KLX®150L PARTS DIAGRAM

Rear Brake

F2294



2020 KLX®150L PARTS LIST

Rear Brake

| ITEM NAME | PART NUMBER | QUANTITY |
|--------------------------------------|-------------|----------|
| DISC (Ref # 41080) | 41080-0639 | 1 |
| HOLDER-BRAKE,RR (Ref # 43034) | 43034-0106 | 1 |
| HOLDER-COMP-CALIPER,RR (Ref # 43044) | 43044-1076 | 1 |
| PISTON-CALIPER (Ref # 43048) | 43048-1090 | 1 |
| PACKING (Ref # 43049) | 43049-1025 | 1 |
| PACKING,PISTON SEAL (Ref # 43049A) | 43049-1060 | 1 |
| PACKING,PISTON SEAL (Ref # 43049B) | 43049-1061 | 1 |
| BREATHER-BRAKE (Ref # 43056) | 43056-0004 | 1 |
| CAP-BREATHER (Ref # 43057) | 43057-1001 | 1 |
| CALIPER-SUB-ASSY,RR (Ref # 43080) | 43080-0078 | 1 |
| PAD-ASSY-BRAKE (Ref # 43082) | 43082-0043 | 1 |
| BOOT,CALIPER (Ref # 49006) | 49006-1088 | 1 |
| BOOT,CALIPER (Ref # 49006A) | 49006-1089 | 1 |
| DAMPER (Ref # 92075) | 92075-1414 | 1 |
| SPRING,PAD (Ref # 92081) | 92081-1502 | 1 |
| BOLT (Ref # 92150) | 92150-1144 | 2 |
| BOLT,SOCKET,8X16 (Ref # 92150A) | 92150-1840 | 2 |
| BOLT,SOCKET,8X15 (Ref # 92154) | 92154-1181 | 6 |