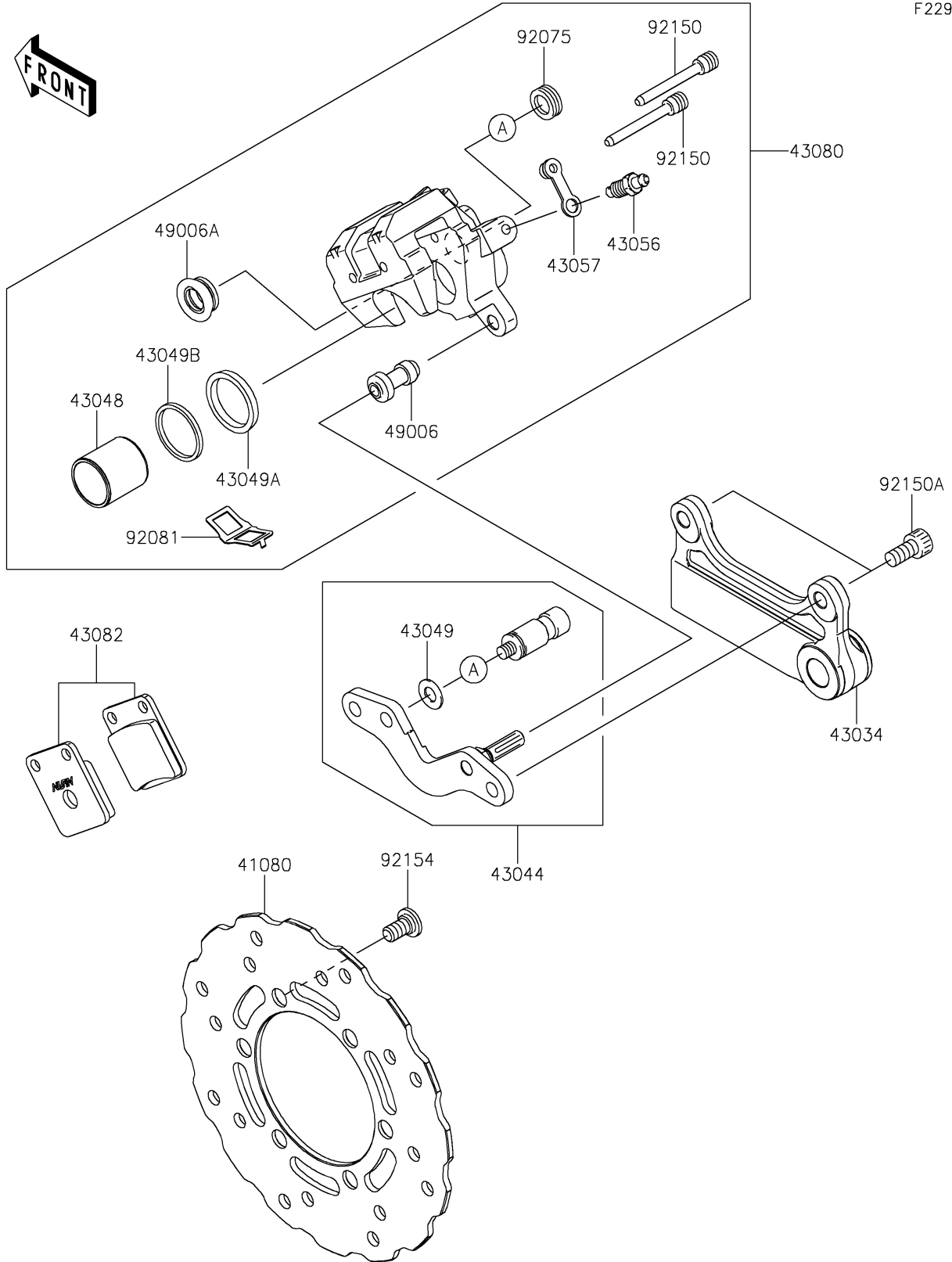


# 2020 KLX®150L PARTS DIAGRAM

Rear Brake

F2294



## 2020 KLX®150L PARTS LIST

### Rear Brake

ITEM NAME	PART NUMBER	QUANTITY
DISC (Ref # 41080)	41080-0639	1
HOLDER-BRAKE,RR (Ref # 43034)	43034-0106	1
HOLDER-COMP-CALIPER,RR (Ref # 43044)	43044-1076	1
PISTON-CALIPER (Ref # 43048)	43048-1090	1
PACKING (Ref # 43049)	43049-1025	1
PACKING,PISTON SEAL (Ref # 43049A)	43049-1060	1
PACKING,PISTON SEAL (Ref # 43049B)	43049-1061	1
BREATHER-BRAKE (Ref # 43056)	43056-0004	1
CAP-BREATHER (Ref # 43057)	43057-1001	1
CALIPER-SUB-ASSY,RR (Ref # 43080)	43080-0078	1
PAD-ASSY-BRAKE (Ref # 43082)	43082-0043	1
BOOT,CALIPER (Ref # 49006)	49006-1088	1
BOOT,CALIPER (Ref # 49006A)	49006-1089	1
DAMPER (Ref # 92075)	92075-1414	1
SPRING,PAD (Ref # 92081)	92081-1502	1
BOLT (Ref # 92150)	92150-1144	2
BOLT,SOCKET,8X16 (Ref # 92150A)	92150-1840	2
BOLT,SOCKET,8X15 (Ref # 92154)	92154-1181	6