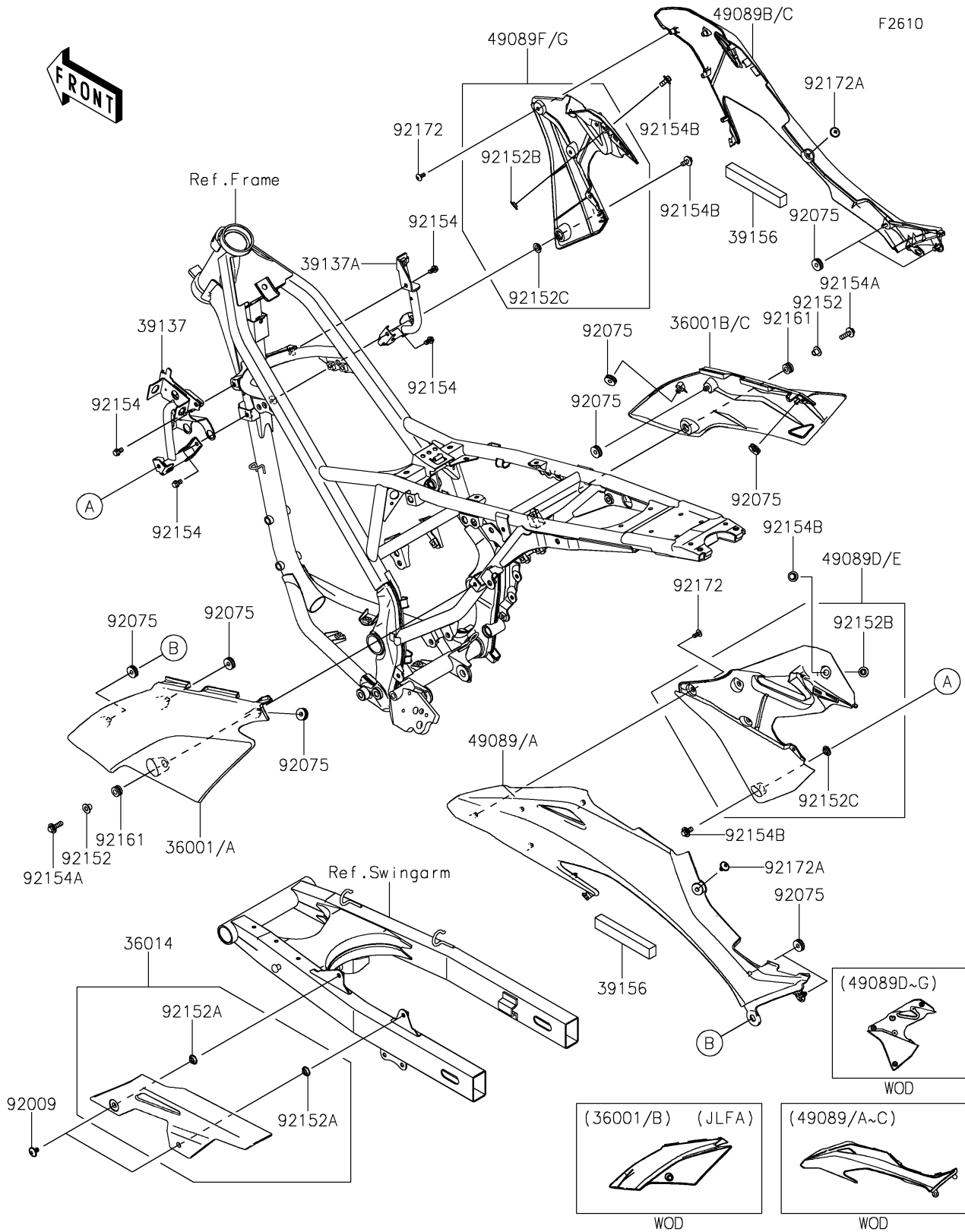


# 2020 KLX®150L PARTS DIAGRAM

## Side Covers/Chain Cover



## 2020 KLX®150L PARTS LIST

### Side Covers/Chain Cover

ITEM NAME	PART NUMBER	QUANTITY
COVER-SIDE,LH,EBONY (Ref # 36001A)	36001-0625-6C	1
COVER-SIDE,RH,EBONY (Ref # 36001C)	36001-0626-6C	1
CASE-CHAIN (Ref # 36014)	36014-0560	1
STAY-COMP,LH,P.SILVER (Ref # 39137)	39137-0620-458	1
STAY-COMP,RH,P.SILVER (Ref # 39137A)	39137-0663-458	1
PAD (Ref # 39156)	39156-0813	2
SHROUD-ENGINE,LH,UPP,EBONY (Ref # 49089A)	49089-0868-6C	1
SHROUD-ENGINE,RH,UPP,EBONY (Ref # 49089C)	49089-0869-6C	1
SHROUD-ENGINE,LH,LWR,EBONY (Ref # 49089E)	49089-0870-6C	1
SHROUD-ENGINE,RH,LWR,EBONY (Ref # 49089G)	49089-0871-6C	1
SCREW,6X10 (Ref # 92009)	92009-1729	2
DAMPER (Ref # 92075)	92075-1629	10
COLLAR,6.3X8.3X9.2 (Ref # 92152)	92152-1725	2
COLLAR,8.8X16X4 (Ref # 92152A)	92152-1731	2
COLLAR,6.6X9X4 (Ref # 92152B)	92152-1982	2
COLLAR,8.8X16X4 (Ref # 92152C)	92152-2185	2
BOLT,FLANGED,6X10 (Ref # 92154)	92154-0459	4
BOLT,FLANGED,6X22 (Ref # 92154A)	92154-1184	2
BOLT,FLANGED,6X14 (Ref # 92154B)	92154-1231	4
DAMPER,8X16X8.6 (Ref # 92161)	92161-0685	2
SCREW,5X12 (Ref # 92172)	92172-1095	10
SCREW,CROS,6X10 (Ref # 92172A)	92172-1254	2