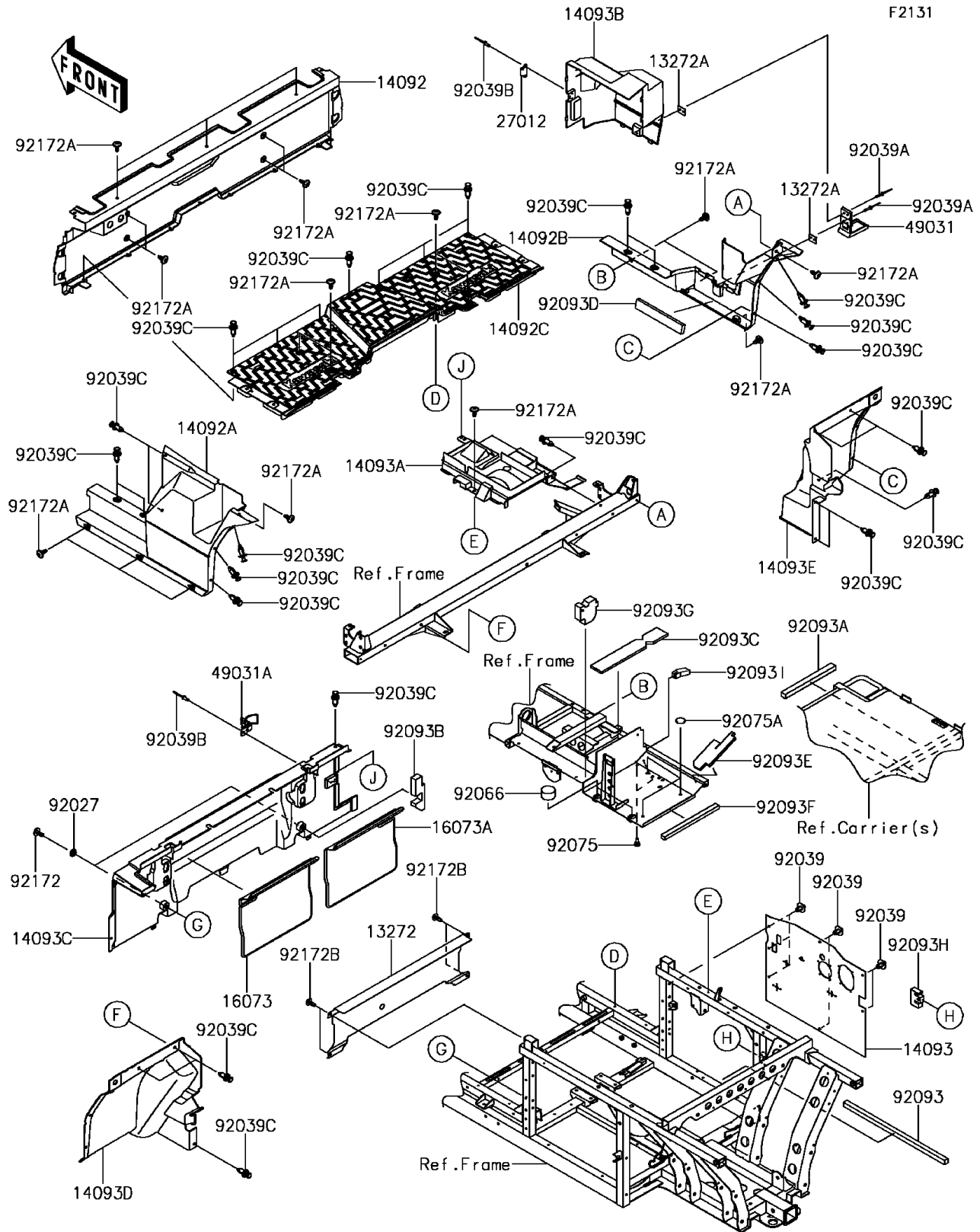


# 2017 Mule PRO-FXT EPS Camo PARTS DIAGRAM

Frame Fittings(Rear)



## 2017 Mule PRO-FXT EPS Camo PARTS LIST

### Frame Fittings(Rear)

| ITEM NAME                            | PART NUMBER | QUANTITY |
|--------------------------------------|-------------|----------|
| PLATE (Ref # 13272)                  | 13272-1693  | 1        |
| PLATE,LATCH (Ref # 13272A)           | 13272-1828  | 2        |
| COVER,RR FLOOR,FR (Ref # 14092)      | 14092-1186  | 1        |
| COVER,SIDE,LH,RR (Ref # 14092A)      | 14092-1190  | 1        |
| COVER,SIDE,RH,RR (Ref # 14092B)      | 14092-1191  | 1        |
| COVER,FLOOR,BOTTOM (Ref # 14092C)    | 14092-1196  | 1        |
| COVER,DUST,A/C BOX (Ref # 14093)     | 14093-0257  | 1        |
| COVER,DUST (Ref # 14093A)            | 14093-0311  | 1        |
| COVER,A/C (Ref # 14093B)             | 14093-0366  | 1        |
| COVER,RR SEAT (Ref # 14093C)         | 14093-0367  | 1        |
| COVER,RR,FLOOR,MUD,LH (Ref # 14093D) | 14093-0388  | 1        |
| COVER,RR,FLOOR,MUD,RH (Ref # 14093E) | 14093-0389  | 1        |
| INSULATOR,LH (Ref # 16073)           | 16073-0814  | 1        |
| INSULATOR,RH (Ref # 16073A)          | 16073-0815  | 1        |
| HOOK,STRIKER (Ref # 27012)           | 27012-0806  | 1        |
| LATCH,A/C (Ref # 49031)              | 49031-0007  | 1        |
| LATCH,TOGGLE (Ref # 49031A)          | 49031-0015  | 1        |
| COLLAR,L=4.6 (Ref # 92027)           | 92027-1168  | 2        |
| RIVET (Ref # 92039)                  | 92039-0086  | 7        |
| RIVET,3.2X13.4 (Ref # 92039A)        | 92039-0739  | 4        |
| RIVET (Ref # 92039B)                 | 92039-0747  | 4        |
| RIVET (Ref # 92039C)                 | 92039-1229  | 29       |
| PLUG,36X20 (Ref # 92066)             | 92066-0812  | 2        |
| DAMPER,6X10X15 (Ref # 92075)         | 92075-1808  | 2        |
| DAMPER,RUBBER (Ref # 92075A)         | 92075-261   | 3        |
| SEAL,DUST,20X20X565 (Ref # 92093)    | 92093-0631  | 1        |
| SEAL,DUST,20X25X280 (Ref # 92093A)   | 92093-0633  | 1        |
| SEAL,165X50X25 (Ref # 92093B)        | 92093-0642  | 1        |
| SEAL,DUST,61X368X10 (Ref # 92093C)   | 92093-0643  | 1        |

## 2017 Mule PRO-FXT EPS Camo PARTS LIST

### Frame Fittings(Rear)

| ITEM NAME                          | PART NUMBER | QUANTITY |
|------------------------------------|-------------|----------|
| SEAL,DUST,39X255X15 (Ref # 92093D) | 92093-0644  | 1        |
| SEAL,DUST,69X207X10 (Ref # 92093E) | 92093-0645  | 1        |
| SEAL,DUST,15X305X20 (Ref # 92093F) | 92093-0646  | 1        |
| SEAL,DUST,97X95X30 (Ref # 92093G)  | 92093-0647  | 1        |
| SEAL,52X72X20 (Ref # 92093H)       | 92093-0651  | 1        |
| SEAL,21.5X60X20 (Ref # 92093I)     | 92093-0652  | 1        |
| SCREW,6X16 (Ref # 92172)           | 92172-0236  | 2        |
| SCREW,6X16 (Ref # 92172A)          | 92172-0711  | 20       |
| SCREW,TAPPING,6X16 (Ref # 92172B)  | 92172-0739  | 4        |