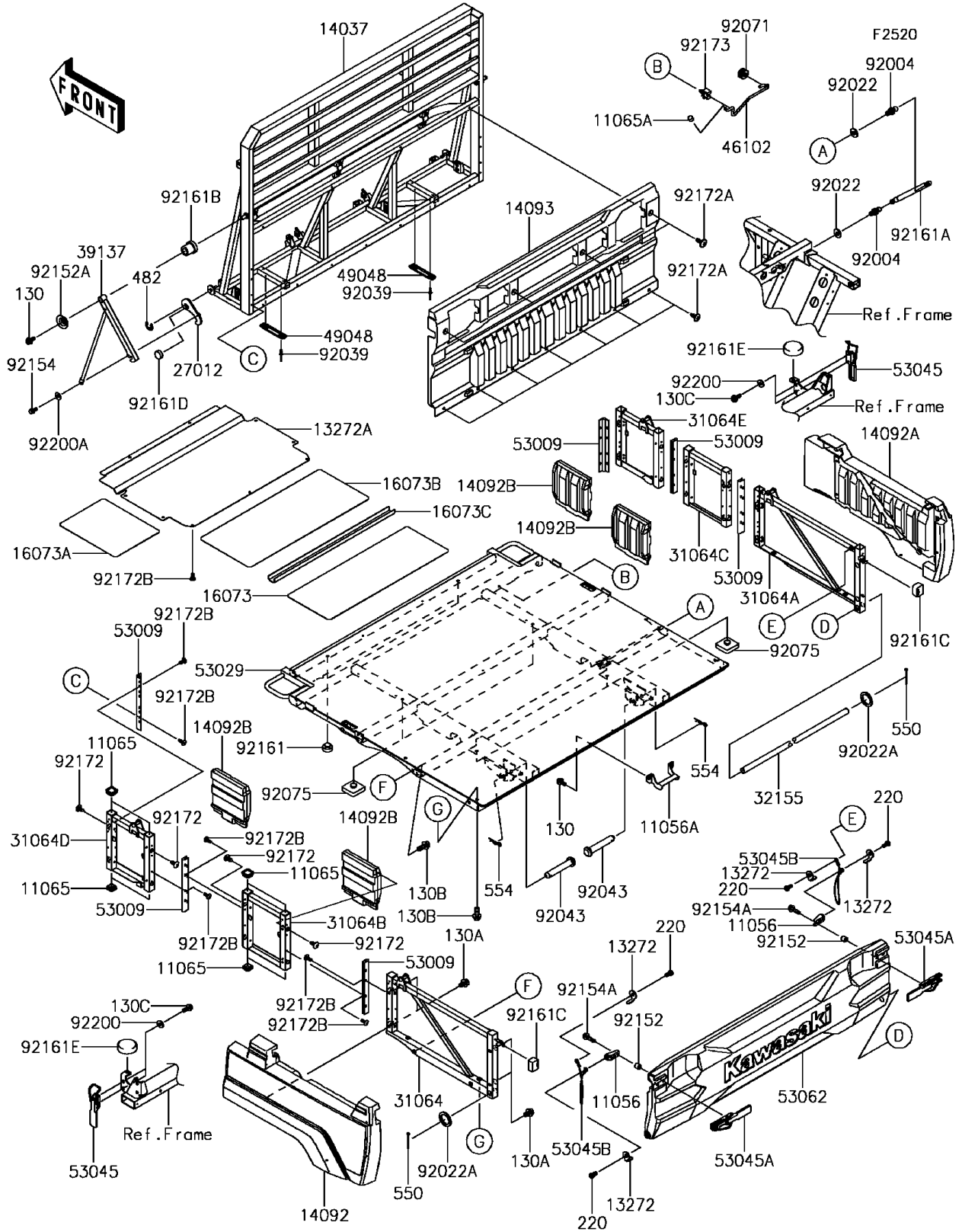


2017 Mule PRO-FXT EPS Camo PARTS DIAGRAM

Carrier(s)



2017 Mule PRO-FXT EPS Camo PARTS LIST

Carrier(s)

| ITEM NAME | PART NUMBER | QUANTITY |
|---|---------------|----------|
| BRACKET,STOPPER (Ref # 11056) | 11056-2848 | 2 |
| BRACKET,SUPPORT (Ref # 11056A) | 11056-4273 | 1 |
| CAP (Ref # 11065) | 11065-0848 | 16 |
| CAP (Ref # 11065A) | 11065-7504 | 1 |
| PLATE (Ref # 13272) | 13272-1597 | 4 |
| PLATE (Ref # 13272A) | 13272-1694 | 1 |
| SCREEN (Ref # 14037) | 14037-0771 | 1 |
| COVER,SIDE PANEL,RR,LH,F.BLACK (Ref # 14092) | 14092-1179-6Z | 1 |
| COVER,SIDE PANEL,RR,RH,F.BLACK (Ref # 14092A) | 14092-1180-6Z | 1 |
| COVER,SIDE PANEL,L&R (Ref # 14092B) | 14092-1181 | 4 |
| COVER,SCREEN (Ref # 14093) | 14093-0301 | 1 |
| INSULATOR,250X705 (Ref # 16073) | 16073-0812 | 1 |
| INSULATOR,265X335 (Ref # 16073A) | 16073-0813 | 1 |
| INSULATOR,295X705 (Ref # 16073B) | 16073-0816 | 1 |
| INSULATOR,70X705 (Ref # 16073C) | 16073-0817 | 1 |
| HOOK,SCREEN (Ref # 27012) | 27012-0787 | 2 |
| PIPE-COMP,RR,LH (Ref # 31064) | 31064-0634 | 1 |
| PIPE-COMP,RR,RH (Ref # 31064A) | 31064-0635 | 1 |
| PIPE-COMP,MIDDLE,LH (Ref # 31064B) | 31064-0638 | 1 |
| PIPE-COMP,MIDDLE,RH (Ref # 31064C) | 31064-0639 | 1 |
| PIPE-COMP,FR,LH (Ref # 31064D) | 31064-0640 | 1 |
| PIPE-COMP,FR,RH (Ref # 31064E) | 31064-0641 | 1 |
| PIPE (Ref # 32155) | 32155-1533 | 1 |
| STAY-COMP (Ref # 39137) | 39137-0661 | 2 |
| ROD (Ref # 46102) | 46102-0606 | 1 |
| SHOE,SCREEN (Ref # 49048) | 49048-0005 | 2 |
| HINGE (Ref # 53009) | 53009-0031 | 6 |
| CARRIER,BASE (Ref # 53029) | 53029-0350 | 1 |
| HOOK-ASSY,MAIN LOCK (Ref # 53045) | 53045-0025 | 2 |

2017 Mule PRO-FXT EPS Camo PARTS LIST

Carrier(s)

| ITEM NAME | PART NUMBER | QUANTITY |
|-------------------------------------|-------------|----------|
| HOOK-ASSY,MAIN CLAMP (Ref # 53045A) | 53045-0026 | 2 |
| HOOK-ASSY (Ref # 53045B) | 53045-0029 | 2 |
| GATE-TAIL (Ref # 53062) | 53062-0022 | 1 |
| STUD (Ref # 92004) | 92004-0733 | 2 |
| WASHER,8.2X19X2 (Ref # 92022) | 92022-1533 | 2 |
| WASHER,23X32X2.3 (Ref # 92022A) | 92022-1618 | 2 |
| RIVET,3.2X8 (Ref # 92039) | 92039-3763 | 4 |
| PIN,12.4X72.4 (Ref # 92043) | 92043-0716 | 2 |
| GROMMET,7.5X14X11 (Ref # 92071) | 92071-0763 | 1 |
| DAMPER (Ref # 92075) | 92075-1882 | 4 |
| COLLAR,6.8X10X9.3 (Ref # 92152) | 92152-1799 | 4 |
| BOLT-FLANGED,6X14 (Ref # 130) | 130BA0614 | 4 |
| BOLT-FLANGED,8X12 (Ref # 130A) | 130BA0812 | 8 |
| BOLT-FLANGED,8X20 (Ref # 130B) | 130BA0820 | 8 |
| BOLT-FLANGED,6X16 (Ref # 130C) | 130CA0616 | 4 |
| SCREW-PAN-CROSS,6X10 (Ref # 220) | 220AB0610 | 4 |
| CIRCLIP-TYPE-E,10MM (Ref # 482) | 482EA0100 | 2 |
| PIN-COTTER,3.0X30 (Ref # 550) | 550AA3030 | 2 |
| PIN-SNAP,12MM (Ref # 554) | 554DA1200 | 2 |
| COLLAR (Ref # 92152A) | 92152-2128 | 2 |
| BOLT,FLANGED,5X4.5 (Ref # 92154) | 92154-0974 | 2 |
| BOLT,FLANGED,6X22 (Ref # 92154A) | 92154-1356 | 4 |
| DAMPER (Ref # 92161) | 92161-0590 | 2 |
| DAMPER (Ref # 92161A) | 92161-1615 | 1 |
| DAMPER,12.5X20X24 (Ref # 92161B) | 92161-1634 | 2 |
| DAMPER (Ref # 92161C) | 92161-1656 | 2 |
| DAMPER,17X6 (Ref # 92161D) | 92161-1708 | 2 |
| DAMPER,10X40X10 (Ref # 92161E) | 92161-1775 | 2 |
| SCREW,6X16 (Ref # 92172) | 92172-0284 | 16 |

2017 Mule PRO-FXT EPS Camo PARTS LIST

Carrier(s)

| ITEM NAME | PART NUMBER | QUANTITY |
|-----------------------------------|-------------|----------|
| SCREW,6X16 (Ref # 92172A) | 92172-0711 | 11 |
| SCREW,TAPPING,6X16 (Ref # 92172B) | 92172-0739 | 57 |
| CLAMP,FUEL PIPE (Ref # 92173) | 92173-1213 | 1 |
| WASHER,6.5X16X2.0 (Ref # 92200) | 92200-1543 | 4 |
| WASHER,6.5X16X0.5 (Ref # 92200A) | 92200-1769 | 2 |