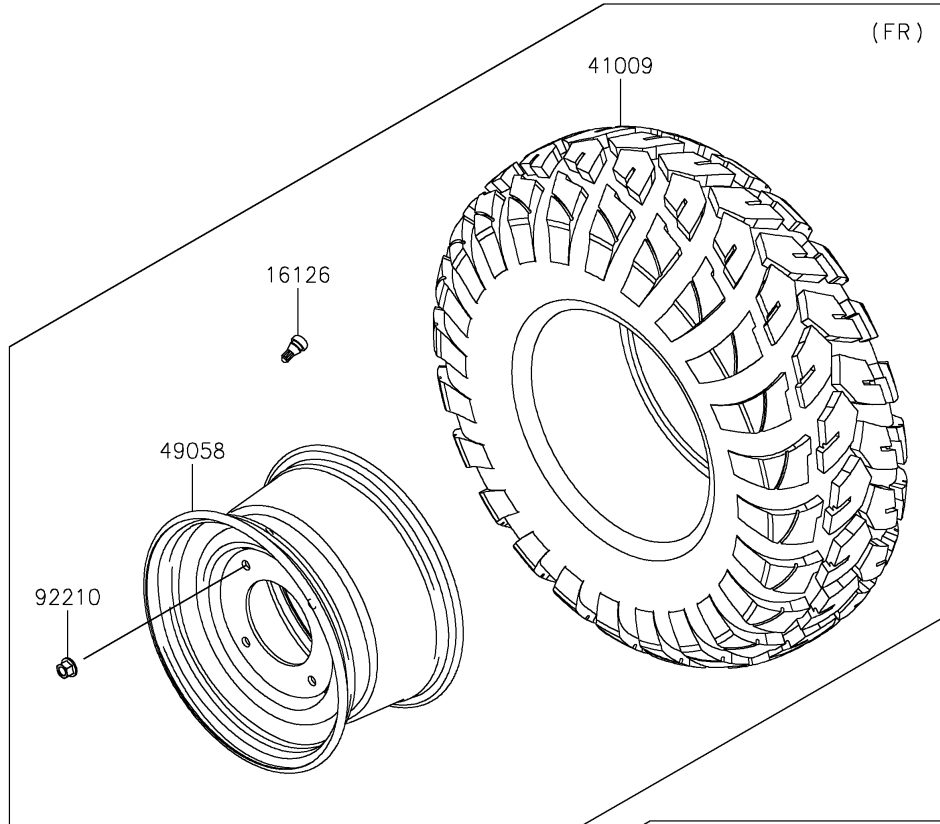
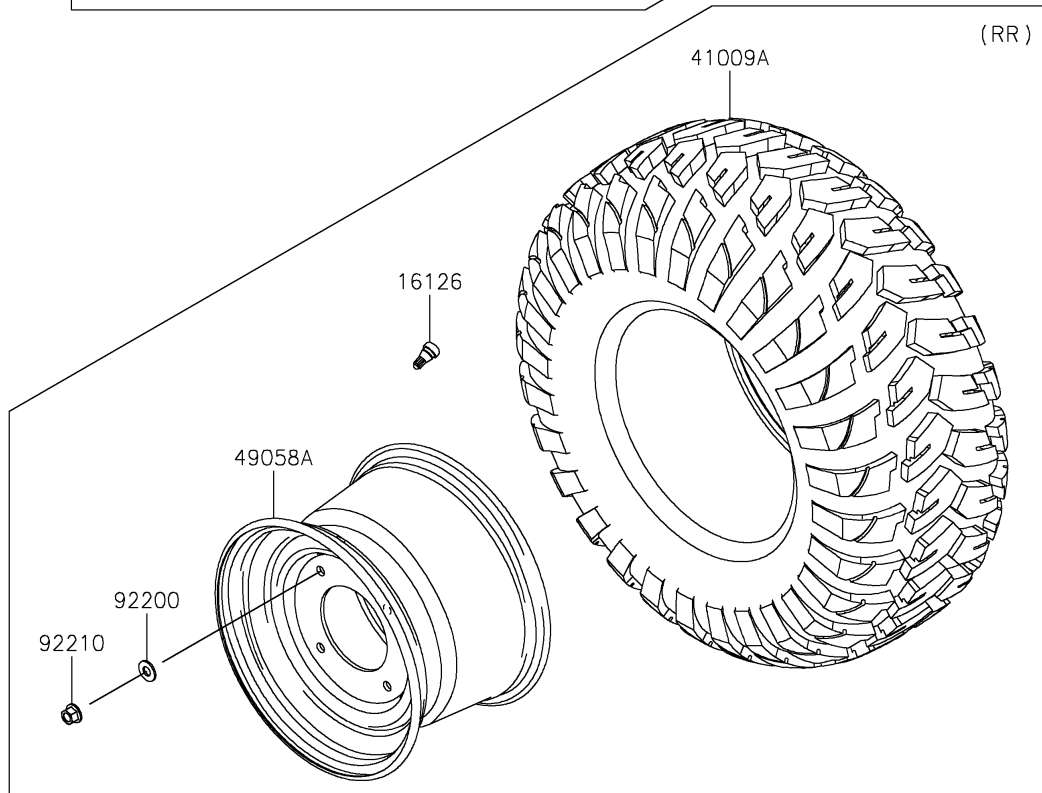


2018 MULE PRO-DXT™ EPS DIESEL PARTS DIAGRAM

Wheels/Tires



F2210



2018 MULE PRO-DXT™ EPS DIESEL PARTS LIST

Wheels/Tires

| ITEM NAME | PART NUMBER | QUANTITY |
|---|----------------|----------|
| VALVE (Ref # 16126) | 16126-4001 | 4 |
| TIRE,FR,26X9.00R12 4PR,FRONTIER (Ref # 41009) | 41009-0696 | 2 |
| TIRE,RR,26X11.00R12 4PR,FRONTIER (Ref # 41009A) | 41009-0697 | 2 |
| WHEEL,FR,12X7.0AT,F.S.BLACK (Ref # 49058) | 49058-0608-397 | 2 |
| WHEEL,RR,12X8.0AT,F.S.BLACK (Ref # 49058A) | 49058-0611-397 | 2 |
| WASHER,12.1X26X2.3 (Ref # 92200) | 92200-0930 | 8 |
| NUT,12MM (Ref # 92210) | 92210-0603 | 16 |