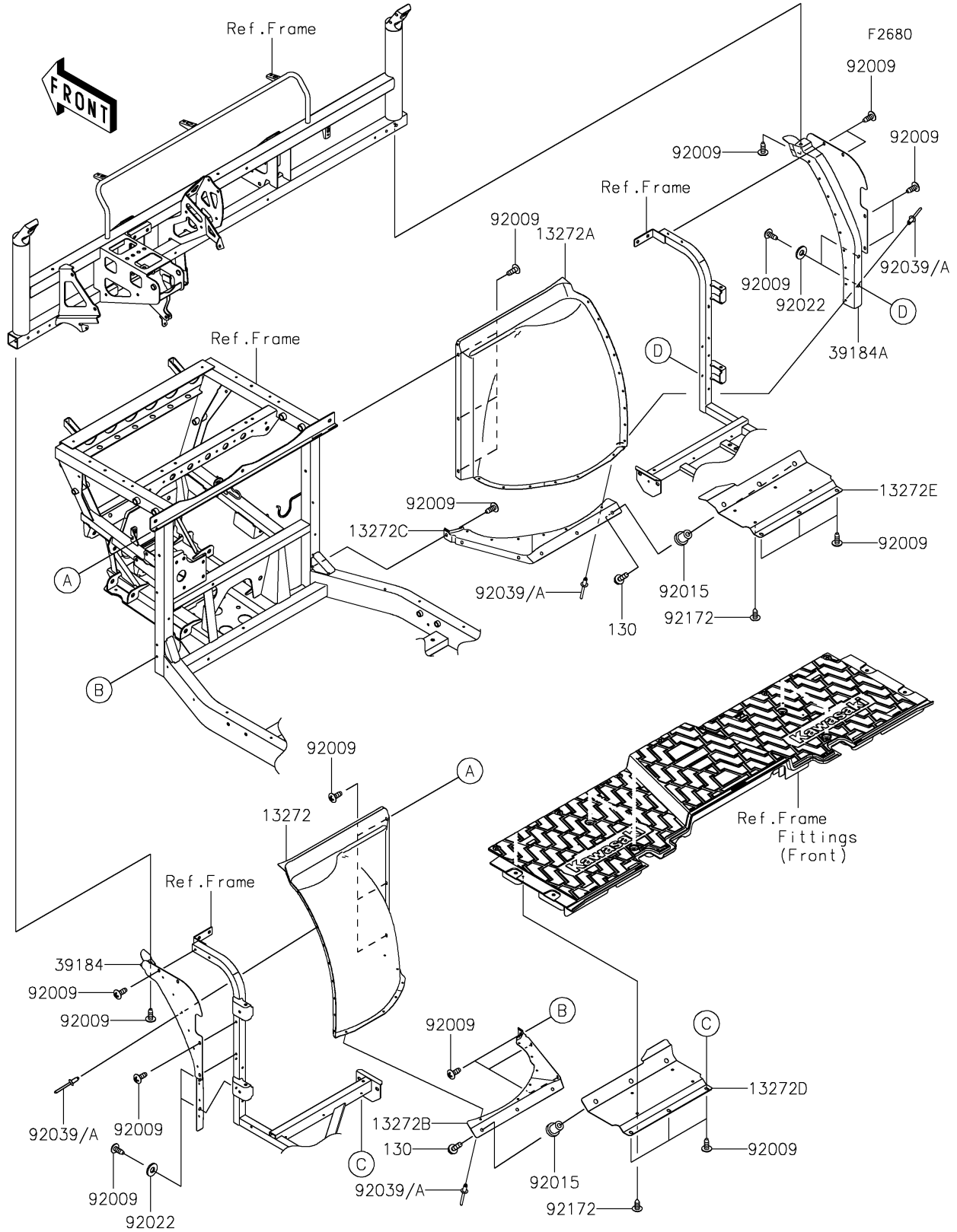


# 2019 MULE PRO-DXT™ EPS DIESEL PARTS DIAGRAM

Guard(s)



## 2019 MULE PRO-DXT™ EPS DIESEL PARTS LIST

Guard(s)

| ITEM NAME                           | PART NUMBER | QUANTITY |
|-------------------------------------|-------------|----------|
| BOLT-FLANGED,6X20 (Ref # 130)       | 130BA0620   | 6        |
| PLATE (Ref # 13272)                 | 13272-2323  | 1        |
| PLATE (Ref # 13272A)                | 13272-2324  | 1        |
| PLATE (Ref # 13272B)                | 13272-2327  | 1        |
| PLATE (Ref # 13272C)                | 13272-2328  | 1        |
| PLATE,UNDER GUARD,LH (Ref # 13272D) | 13272-2330  | 1        |
| PLATE,UNDER GUARD,RH (Ref # 13272E) | 13272-2331  | 1        |
| BRACKET-ASSY,SIDE,LH (Ref # 39184)  | 39184-0718  | 1        |
| BRACKET-ASSY,SIDE,RH (Ref # 39184A) | 39184-0719  | 1        |
| SCREW,TAPPING,6X16 (Ref # 92009)    | 92009-1166  | 32       |
| NUT,RUBBER,6MM (Ref # 92015)        | 92015-1692  | 6        |
| WASHER,8.2X19X2 (Ref # 92022)       | 92022-1533  | 4        |
| RIVET,4.8X7.6 (Ref # 92039A)        | 92039-0784  | 30       |
| SCREW,6X16 (Ref # 92172)            | 92172-0284  | 8        |