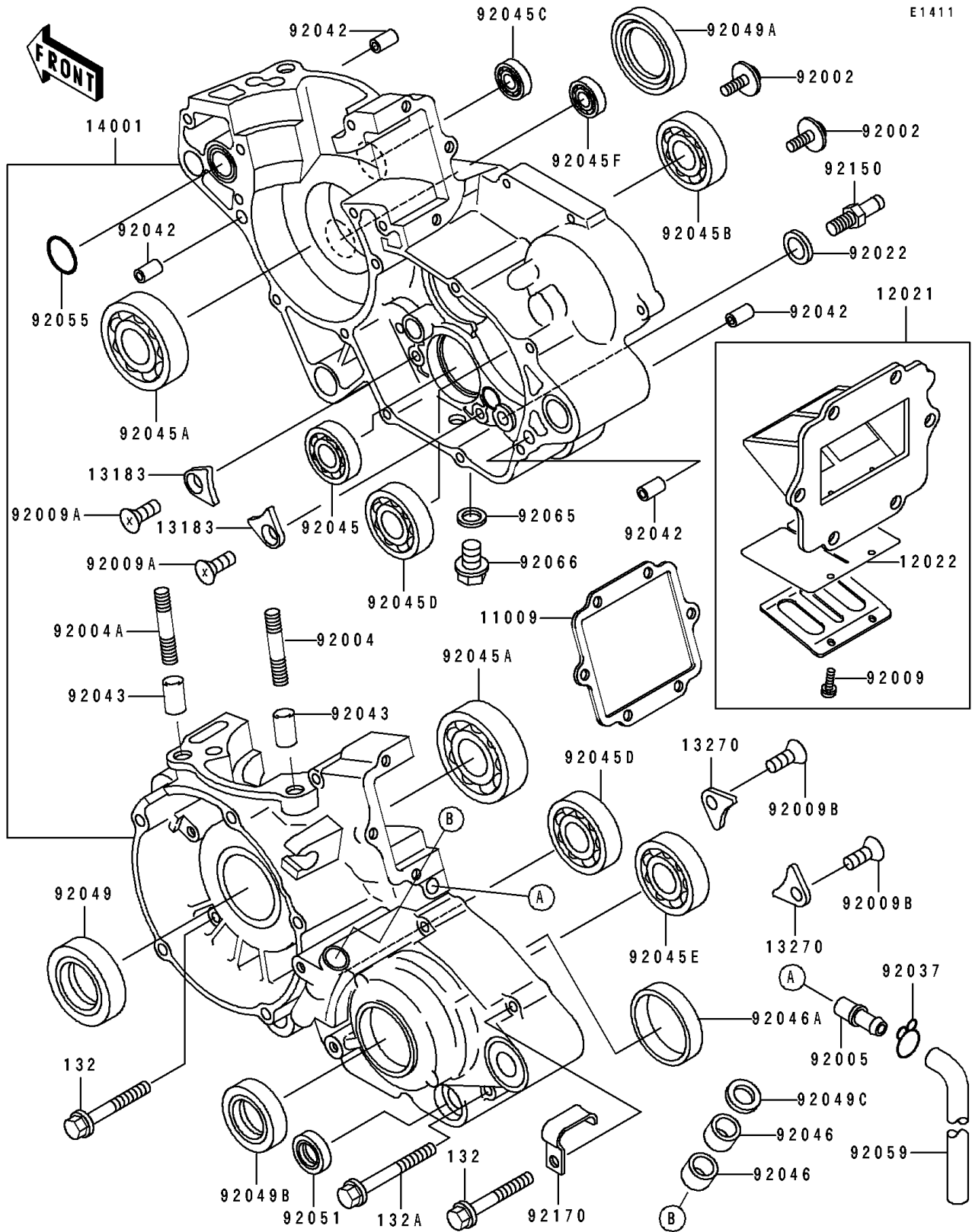


# 1997 KX125 PARTS DIAGRAM

## Crankcase



# 1997 KX125 PARTS LIST

## Crankcase

| ITEM NAME                                    | PART NUMBER | QUANTITY |
|--|-------------|----------|
| BOLT-FLANGED-SMALL (Ref # 132)               | 132G0640    | 13       |
| BOLT-FLANGED-SMALL (Ref # 132A)              | 132G0675    | 1        |
| GASKET, REED VALVE (Ref # 11009)             | 11009-1941  | 1        |
| VALVE-ASSY-REED (Ref # 12021)                | 12021-1111  | 1        |
| VALVE-REED (Ref # 12022)                     | 12022-1080  | 2        |
| PLATE (Ref # 13183)                          | 13183-1182  | 2        |
| PLATE (Ref # 13270)                          | 13270-1638  | 2        |
| SET-CRANKCASE (Ref # 14001)                  | 14001-1218  | 1        |
| BOLT, 6X16 (Ref # 92002)                     | 92002-1659  | 2        |
| STUD, 8X37 (Ref # 92004)                     | 92004-1213  | 2        |
| STUD, 8X45 (Ref # 92004A)                    | 92004-1219  | 2        |
| FITTING, BREATHER (Ref # 92005)              | 92005-1127  | 1        |
| SCREW, 3X6 (Ref # 92009)                     | 92009-1371  | 4        |
| SCREW, 6X10 (Ref # 92009A)                   | 92009-1563  | 2        |
| SCREW, 6X8 (Ref # 92009B)                    | 92009-1708  | 2        |
| WASHER, 10.2X18X1.0, SK5 (Ref # 92022)       | 92022-1415  | 1        |
| CLAMP (Ref # 92037)                          | 92037-1610  | 1        |
| PIN, DOWEL, 6.3X8X14 (Ref # 92042)           | 92042-007   | 4        |
| PIN, 8.2X10X14 (Ref # 92043)                 | 92043-1264  | 2        |
| BEARING-BALL, 6905Z (Ref # 92045)            | 92045-1058  | 1        |
| BEARING-BALL (Ref # 92045A)                  | 92045-1209  | 2        |
| BEARING-BALL, 6204X15C (Ref # 92045B)        | 92045-1298  | 1        |
| BEARING-BALL, 608MC3 (Ref # 92045C)          | 92045-1305  | 1        |
| BEARING-BALL, SC03A53C3 (Ref # 92045D)       | 92045-1334  | 2        |
| BEARING-BALL, SX04A81C3 (Ref # 92045E)       | 92045-1335  | 1        |
| BEARING-BALL (Ref # 92045F)                  | 92045-1345  | 1        |
| BEARING-NEEDLE, HK1010 (Ref # 92046)         | 92046-1160  | 2        |
| BEARING-NEEDLE, 7E-HKS33X38X8 (Ref # 92046A) | 92046-1221  | 1        |
| SEAL-OIL (Ref # 92049)                       | 92049-1300  | 1        |

## 1997 KX125 PARTS LIST

### Crankcase

| ITEM NAME                                 | PART NUMBER | QUANTITY |
|---|-------------|----------|
| SEAL-OIL (Ref # 92049A)                   | 92049-1301  | 1        |
| SEAL-OIL (Ref # 92049B)                   | 92049-1413  | 1        |
| SEAL-OIL (Ref # 92049C)                   | 92049-1414  | 1        |
| SEAL-OIL,TB13225.5 (Ref # 92051)          | 92051-005   | 1        |
| RING-O (Ref # 92055)                      | 92055-086   | 1        |
| TUBE,6X9X420 (Ref # 92059)                | 92059-1946  | 1        |
| GASKET,10.5X16X1,DRAIN PLUG (Ref # 92065) | 92065-058   | 1        |
| PLUG,DRAIN (Ref # 92066)                  | 92066-1437  | 1        |
| BOLT,RETURN SPRING (Ref # 92150)          | 92150-1803  | 1        |
| CLAMP (Ref # 92170)                       | 92170-1555  | 1        |