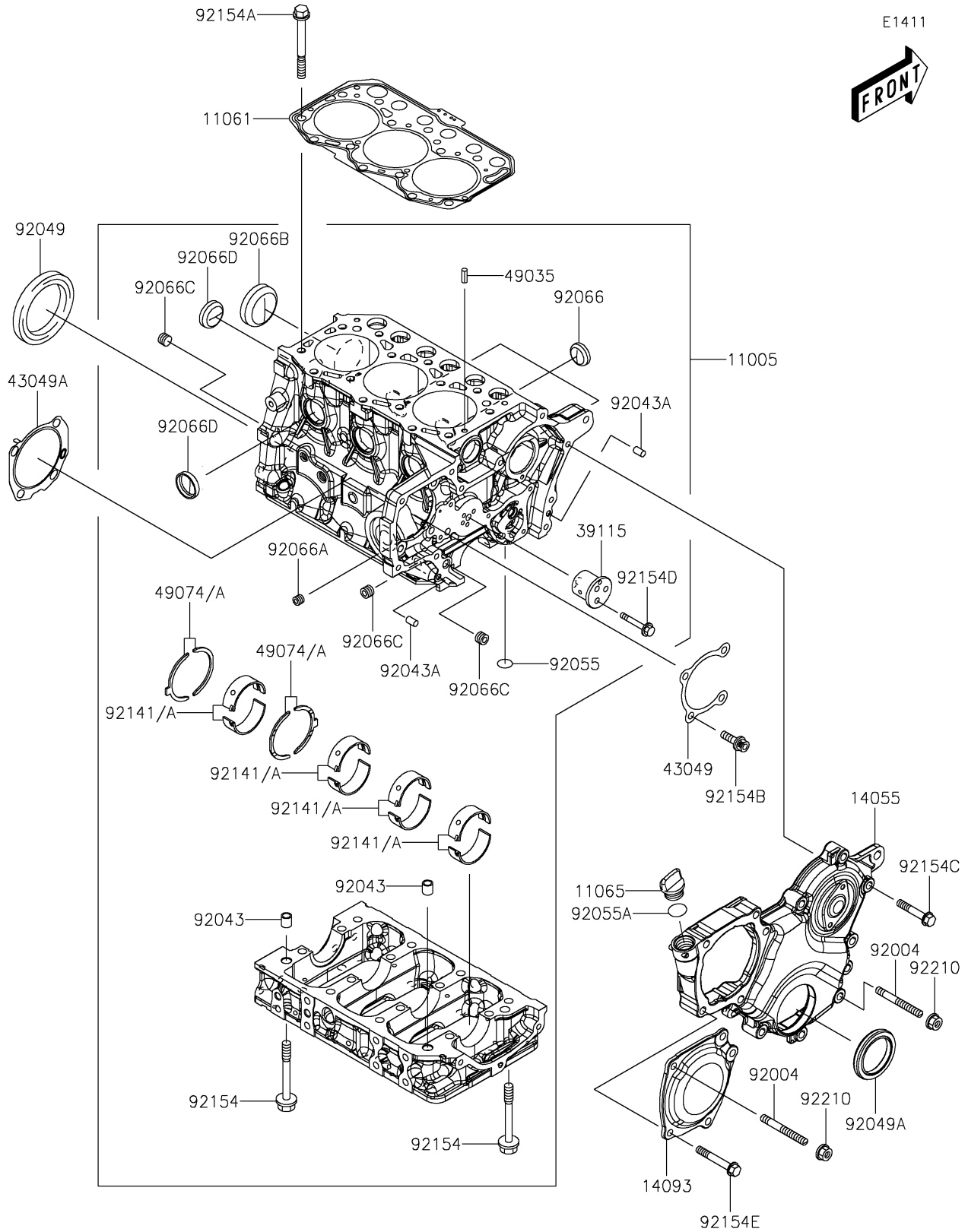


2018 MULE PRO-DX™ EPS DIESEL PARTS DIAGRAM

Crankcase



2018 MULE PRO-DX™ EPS DIESEL PARTS LIST

Crankcase

| ITEM NAME | PART NUMBER | QUANTITY |
|---------------------------------------|-------------|----------|
| CYLINDER-ENGINE (Ref # 11005) | 11005-0664 | 1 |
| GASKET,HEAD (Ref # 11061) | 11061-1192 | 1 |
| CAP (Ref # 11065) | 11065-0936 | 1 |
| CASE-GEAR (Ref # 14055) | 14055-0622 | 1 |
| COVER (Ref # 14093) | 14093-0439 | 1 |
| SHAFT-IDLER (Ref # 39115) | 39115-0025 | 1 |
| PACKING (Ref # 43049) | 43049-0035 | 1 |
| PACKING (Ref # 43049A) | 43049-0036 | 1 |
| PIN-SPRING (Ref # 49035) | 49035-0016 | 2 |
| PLATE-THRUST (Ref # 49074) | 49074-0003 | 2 |
| PLATE-THRUST,O/S,0.25 (Ref # 49074A) | 49074-0005 | AR |
| STUD,8X60 (Ref # 92004) | 92004-0744 | 2 |
| PIN,KNOCK (Ref # 92043) | 92043-0883 | 2 |
| PIN,6X10 (Ref # 92043A) | 92043-0884 | 2 |
| SEAL-OIL (Ref # 92049) | 92049-0787 | 1 |
| SEAL-OIL (Ref # 92049A) | 92049-0788 | 1 |
| RING-O (Ref # 92055) | 92055-0854 | 1 |
| RING-O (Ref # 92055A) | 92055-0855 | 1 |
| PLUG (Ref # 92066) | 92066-0846 | 3 |
| PLUG (Ref # 92066A) | 92066-0847 | 1 |
| PLUG (Ref # 92066B) | 92066-0849 | 1 |
| PLUG (Ref # 92066C) | 92066-0850 | 3 |
| PLUG (Ref # 92066D) | 92066-0860 | 4 |
| BEARING-PLANE,STD (Ref # 92141) | 92141-0004 | 4 |
| BEARING-PLANE,U/S,0.25 (Ref # 92141A) | 92141-0005 | AR |
| BOLT,FLANGED (Ref # 92154) | 92154-1981 | 16 |
| BOLT,FLANGED (Ref # 92154A) | 92154-1982 | 14 |
| BOLT,SOCKET (Ref # 92154B) | 92154-1983 | 4 |
| BOLT,FLANGED,8X35 (Ref # 92154C) | 92154-1984 | 7 |

2018 MULE PRO-DX™ EPS DIESEL PARTS LIST

Crankcase

| ITEM NAME | PART NUMBER | QUANTITY |
|----------------------------------|-------------|----------|
| BOLT,FLANGED,6X40 (Ref # 92154D) | 92154-1995 | 3 |
| BOLT,FLANGED,8X45 (Ref # 92154E) | 92154-2000 | 4 |
| NUT,8MM (Ref # 92210) | 92210-1473 | 2 |