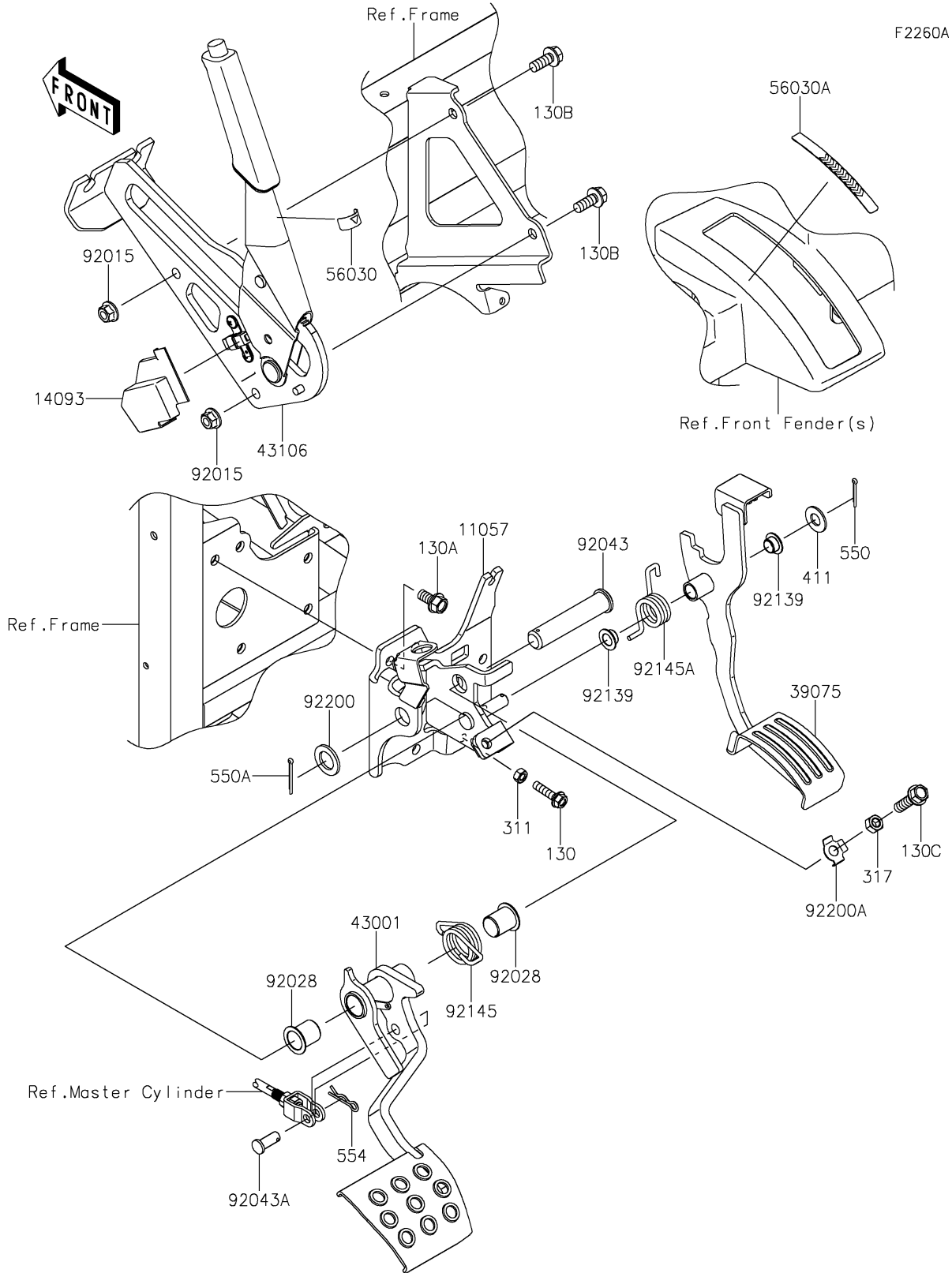


2018 MULE PRO-DX™ EPS DIESEL PARTS DIAGRAM

Brake Pedal/Throttle Lever(EJF-ELF)



2018 MULE PRO-DX™ EPS DIESEL PARTS LIST

Brake Pedal/Throttle Lever(EJF-ELF)

ITEM NAME	PART NUMBER	QUANTITY
-----------	-------------	----------