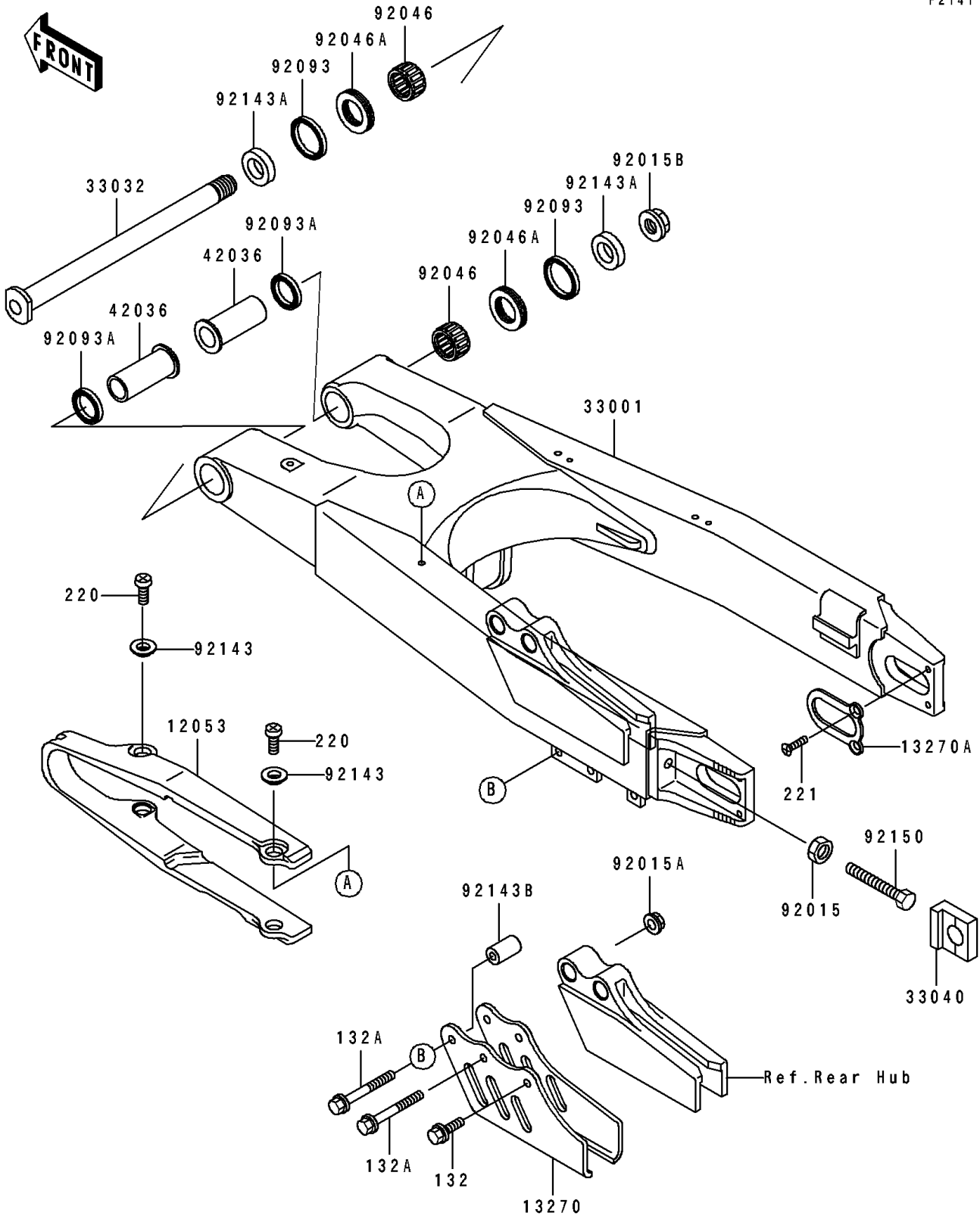


1997 KX125 PARTS DIAGRAM

Swingarm

F2141



1997 KX125 PARTS LIST

Swingarm

ITEM NAME	PART NUMBER	QUANTITY
BOLT-FLANGED-SMALL (Ref # 132)	132G0612	1
BOLT-FLANGED-SMALL (Ref # 132A)	132G0650	2
SCREW-PAN-CROS,5X8 (Ref # 220)	220B0508	4
SCREW-CSK-CROS (Ref # 221)	221B0510	4
GUIDE-CHAIN,DRIVE,FR (Ref # 12053)	12053-1375	1
PLATE,DRIVE CHAIN GUIDE,RR (Ref # 13270)	13270-1633	1
PLATE (Ref # 13270A)	13270-1636	2
ARM-COMP-SWING,SILVER NO.35 (Ref # 33001)	33001-1525-TX	1
SHAFT-SWING ARM (Ref # 33032)	33032-1172	1
ADJUSTER-CHAIN (Ref # 33040)	33040-1156	2
SLEEVE,SWING ARM,L=54 (Ref # 42036)	42036-1326	2
NUT,FLANGED,8MM (Ref # 92015)	92015-1014	2
NUT,FLANGED,6MM (Ref # 92015A)	92015-1078	2
NUT,FLANGED,16MM (Ref # 92015B)	92015-1316	1
BEARING-NEEDLE,TA2230Z (Ref # 92046)	92046-1174	2
BEARING-NEEDLE,NTBR22356E01 (Ref # 92046A)	92046-1240	2
SEAL,SO 29 35 4 (Ref # 92093)	92093-1384	2
SEAL,SO 22 29 4 (Ref # 92093A)	92093-1385	2
COLLAR (Ref # 92143)	92143-1676	4
COLLAR,17.1X29X7 (Ref # 92143A)	92143-1777	2
COLLAR,6.5X14X24 (Ref # 92143B)	92143-1867	2
BOLT,8X55 (Ref # 92150)	92150-1385	2