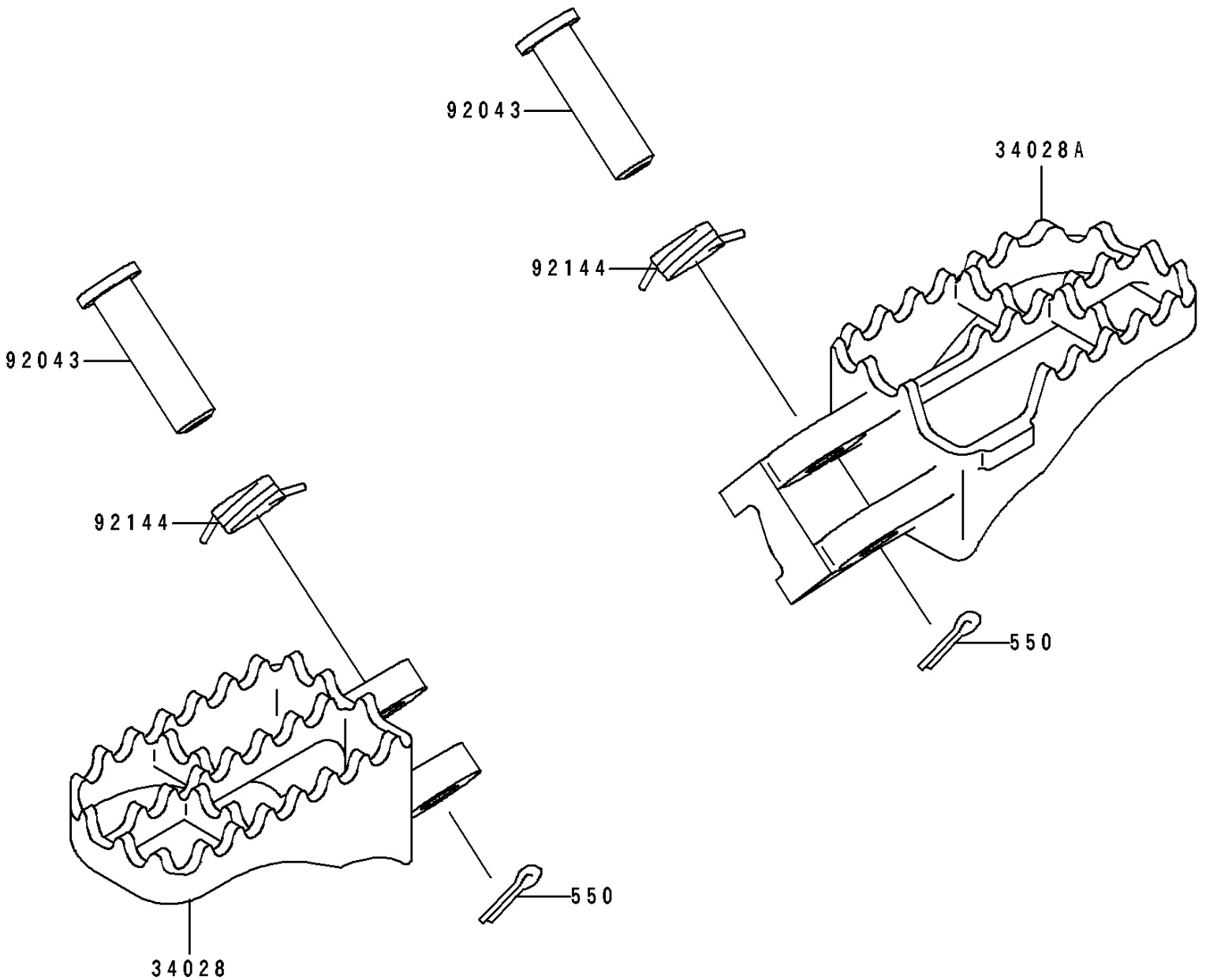


1997 KX125 PARTS DIAGRAM

Footrests

F2160



1997 KX125 PARTS LIST

Footrests

ITEM NAME	PART NUMBER	QUANTITY
PIN-COTTER,3.0X20 (Ref # 550)	550S3020	2
STEP,LH,SILVER (Ref # 34028)	34028-1439-CE	1
STEP,RH,SILVER (Ref # 34028A)	34028-1440-CE	1
PIN,10X48.5 (Ref # 92043)	92043-1538	2
SPRING,STEP (Ref # 92144)	92144-1951	2