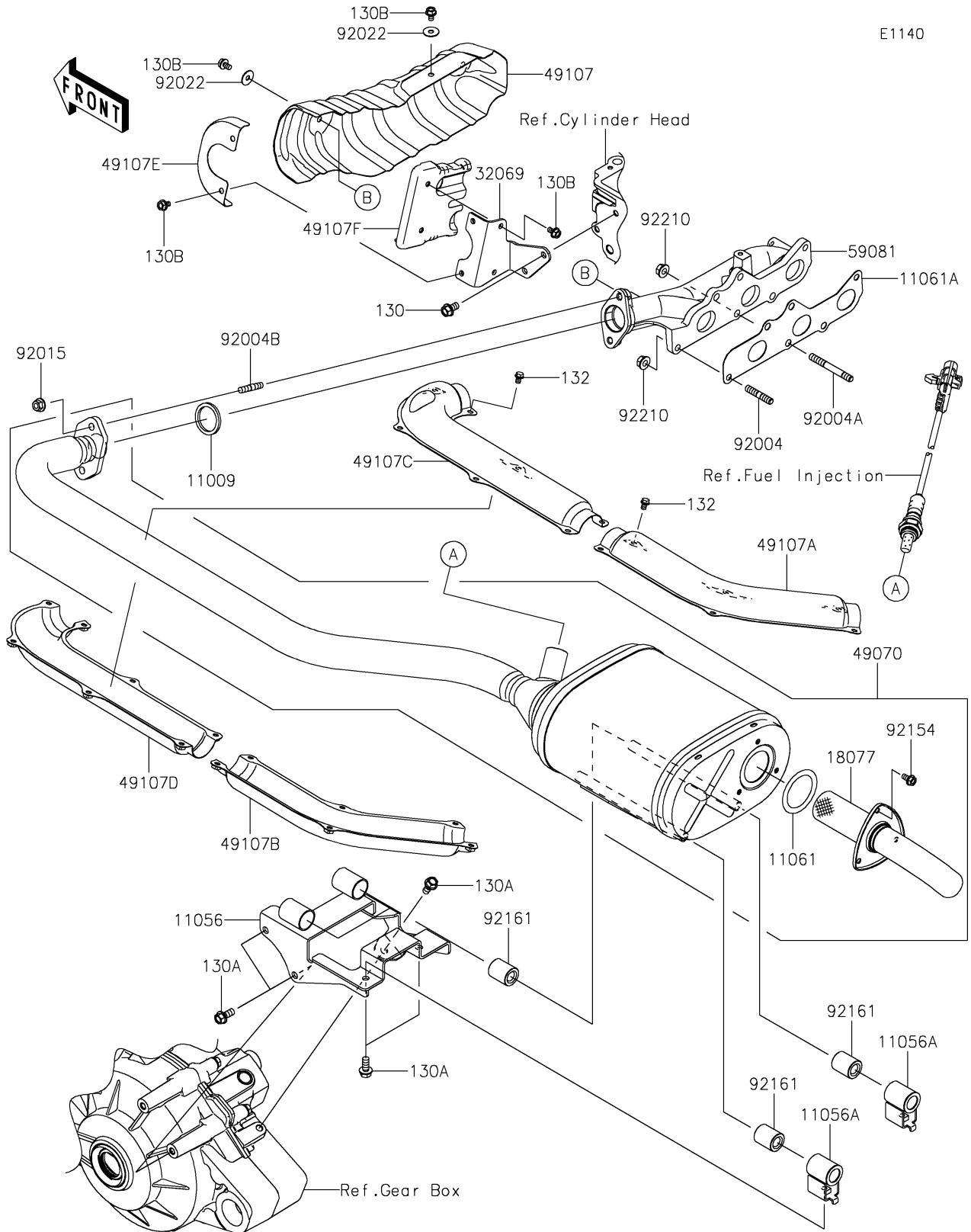


# 2019 MULE PRO-FXT™ PARTS DIAGRAM

Muffler(s)



# 2019 MULE PRO-FXT™ PARTS LIST

Muffler(s)

ITEM NAME	PART NUMBER	QUANTITY
-----------	-------------	----------