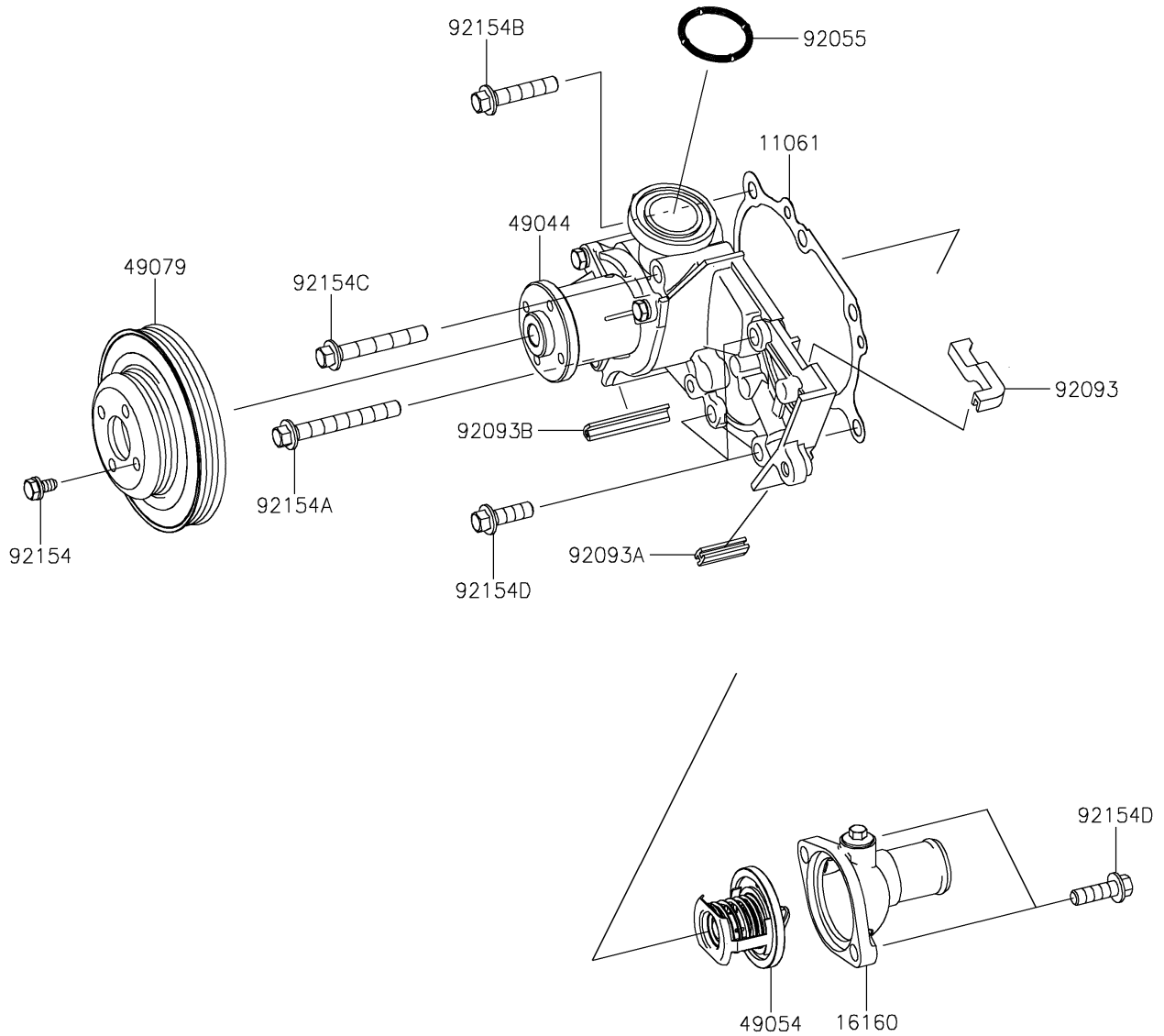


2019 MULE PRO-FXT™ PARTS DIAGRAM

Water Pump

E3031



2019 MULE PRO-FXT™ PARTS LIST

Water Pump

ITEM NAME	PART NUMBER	QUANTITY
-----------	-------------	----------