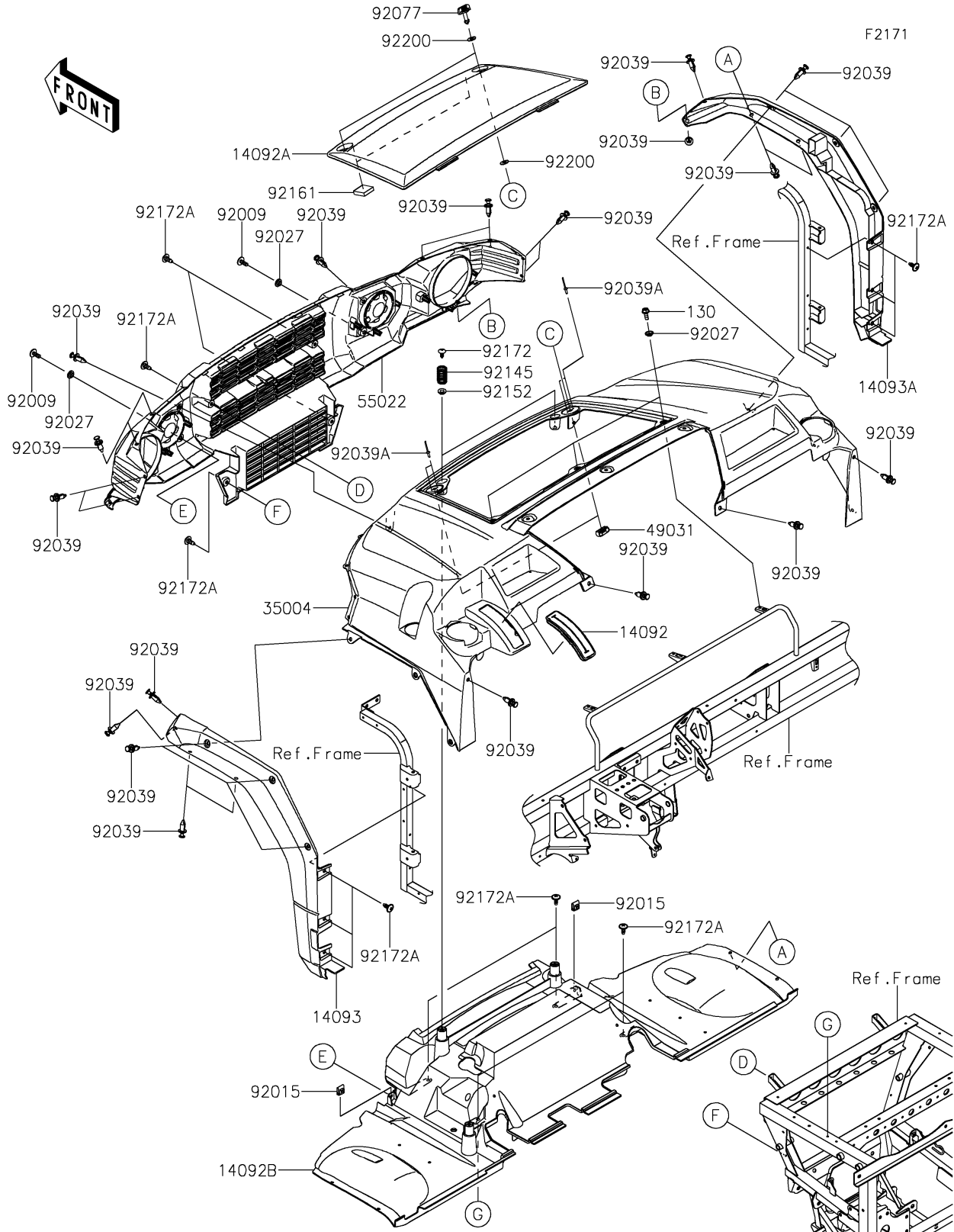


2019 MULE PRO-FXT™ PARTS DIAGRAM

Front Fender(s)



2019 MULE PRO-FXT™ PARTS LIST

Front Fender(s)

| ITEM NAME | PART NUMBER | QUANTITY |
|--|----------------|----------|
| BOLT-FLANGED,6X16 (Ref # 130) | 130CA0616 | 3 |
| COVER,CENTER CONSOLE,TOP (Ref # 14092) | 14092-0791 | 1 |
| COVER,OPEN,S.BLACK (Ref # 14092A) | 14092-1177-839 | 1 |
| COVER,TOP,FR INNER (Ref # 14092B) | 14092-1194 | 1 |
| COVER,SIDE,LH (Ref # 14093) | 14093-0596 | 1 |
| COVER,SIDE,RH (Ref # 14093A) | 14093-0597 | 1 |
| FENDER-FRONT,S.BLACK (Ref # 35004) | 35004-0335-839 | 1 |
| LATCH (Ref # 49031) | 49031-0008 | 2 |
| COVER-HEAD LAMP (Ref # 55022) | 55022-0304 | 1 |
| SCREW,6X16 (Ref # 92009) | 92009-1621 | 2 |
| NUT,CLAMP,6MM (Ref # 92015) | 92015-1678 | 2 |
| COLLAR,L=4.6 (Ref # 92027) | 92027-1168 | 5 |
| RIVET (Ref # 92039) | 92039-0776 | 28 |
| RIVET,3.2X9.5 (Ref # 92039A) | 92039-0785 | 4 |
| KNOB (Ref # 92077) | 92077-0030 | 2 |
| SPRING,17X65 (Ref # 92145) | 92145-1727 | 2 |
| COLLAR (Ref # 92152) | 92152-0140 | 2 |
| DAMPER,40X40X10 (Ref # 92161) | 92161-1861 | 2 |
| SCREW,6X16 (Ref # 92172) | 92172-0284 | 2 |
| SCREW,6X16 (Ref # 92172A) | 92172-0711 | 14 |
| WASHER (Ref # 92200) | 92200-0503 | 4 |